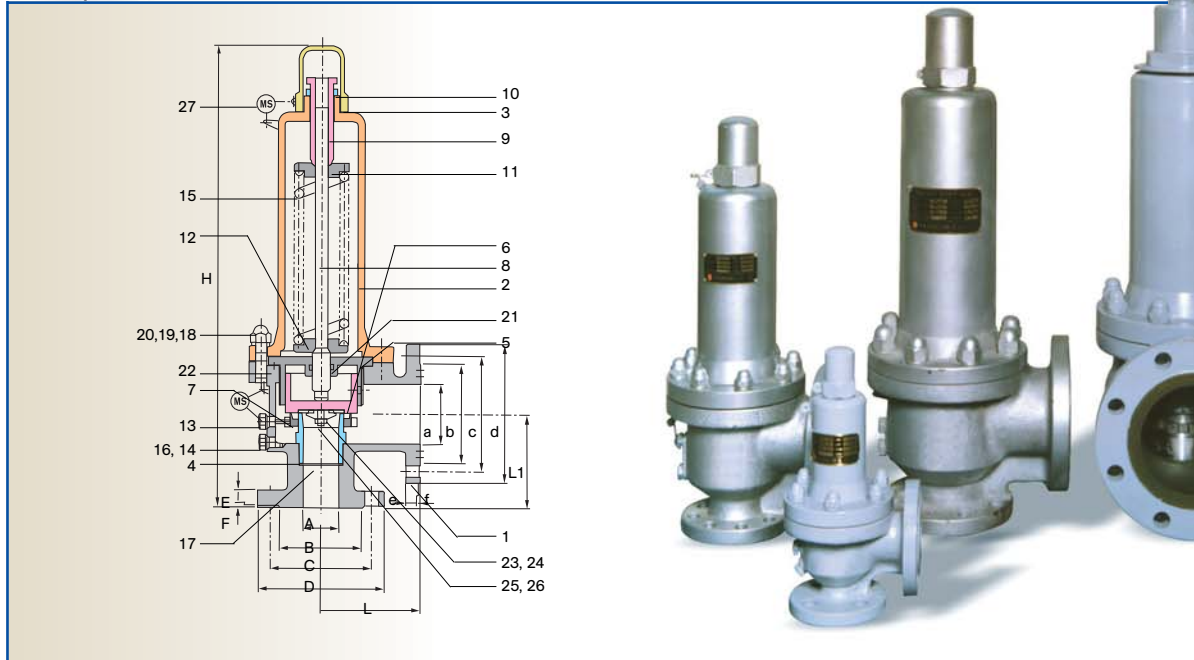


STORAGE TANK SAFETY VALVE

MODEL NO : WSLT - 5124M(S)<LPG>, WSLT -5224M(S)<NH₃>



MATERIAL

NO	PART-NAME	MATERIAL	NO	PART-NAME	MATERIAL
1	BODY	SCPH2	15	SPRING	SUP9A
2	BONNET	SCPH2	16	PACKING	C1100P
3	CAP	SCPH2	17	PACKING	C1100P
4	NOZZLE	STS 304	18	SPRING WASHER	S20C
5	GUIDE	STS 304	19	CAP NUT	S20C
6	VALVE DISK	STS 304	20	STUD BOLT	S25C
7	ADJUST RING	STS 304	21	O - RING	N.B.R
8	SPINDLE	STS 304	22	O - RING	N.B.R
9	ADJUST SCREW	C3604B	23	VALVE SEAT	P.T.F.E
10	SET NUT	S25C	24	WASHER	STS 304
11	UPPER SPRING DISK	S20C	25	NUT	STS 304
12	LOWER SPRING DISK	S20C	26	SPRING WASHER	STS 304
13	SET BOLT	S25C	27	SEAL	Pb
14	PLUG BOLT	S25C			

DIMENSION

unit : mm

SIZE	H	L	L1	A	a	INLET FLANGE						OUTLET FLANGE					
						B	C	D	E	F	N- ϕ H	b	c	d	e	f	n- ϕ h
25A	380	110	100	25	40	70	90	125	20	1	4-19	85	105	140	22	2	4-19
40A	500	150	120	40	65	85	105	140	22	2	8-19	120	140	175	24	2	8-19
50A	580	150	140	50	80	100	120	155	22	2	8-23	135	160	200	26	2	8-23
80A	734	184	154	80	100	135	160	200	26	2	8-23	160	185	225	28	2	8-23
100A	935	220	180	100	130	160	185	225	28	2	8-23	195	225	270	30	2	8-23

S : SOFT SEAT M : METAL SEAT

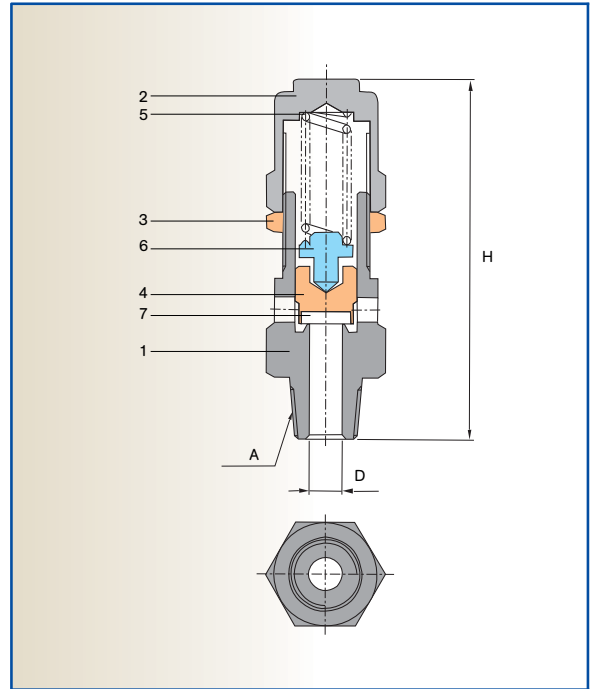
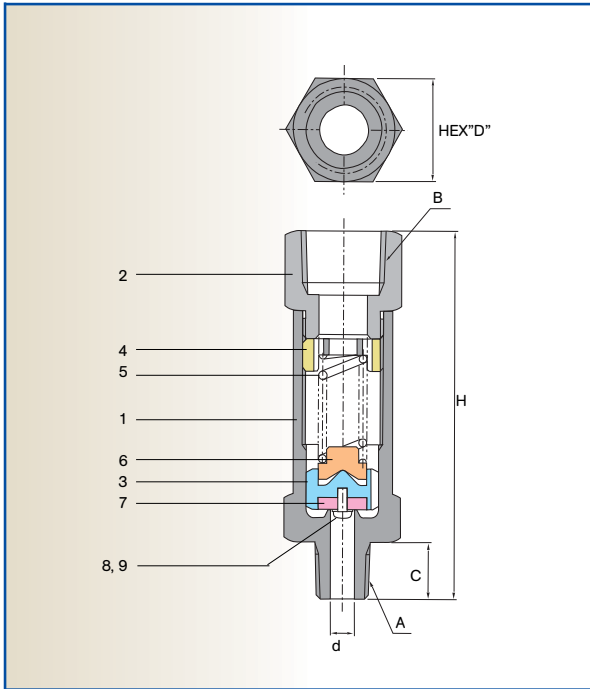
※ Remark 1. Material is to be changed in case of NH₃
2. Please contact us when applying for other gases

※참고 1. 암모니아용일 경우 일부 재질을 변경함.
2. 다른 가스 용도로 사용할 경우 당사로 연락바람.

MS ENG. LINE SAFETY VALVE

MODEL NO : WSL - 5111 (L.P.G)
WSL - 5211 (NH₃)

MODEL NO : WSO - 5312



MATERIAL

NO	PART-NAME	MATERIAL	
		LPG	NH ₃
1	BODY	C3604B	STS 304
2	SOCKET	C3604B	STS 304
3	VALVE DISK	C3604B	STS 304
4	ADJUST SCREW	C3604B	STS 304
5	SPRING	HSW	HSW
6	SPRING DISK	C3604B	STS 304
7	VALVE SEAT	N.B.R	PTFE
8	WASHER	STS 304	STS 304
9	SCREW	STS 304	STS 304

MATERIAL

NO	PART-NAME	MATERIAL
1	BODY	C3604B
2	CAP	C3604B
3	LOCK NUT	C3604B
4	VALVE DISK	C3604B
5	SPRING	STS 304
6	SPRING DISK	C3604B
7	VALVE SEAT	N.B.R

DIMENSION

unit : mm

SIZE	H	D	d	C	A	B	LIFT
8A	90	25	6	14	PT1/4	PT1/4	0.86
15A	107	32	10	18	PT1/2	PT1/2	1.43
20A	129	41	14	22	PT3/4	PT3/4	2
25A	147	45	19	25	PT1	PT1	2.72
40A	167	64	24	30	PT1 1/2	PT1 1/2	3.43

DIMENSION

unit : mm

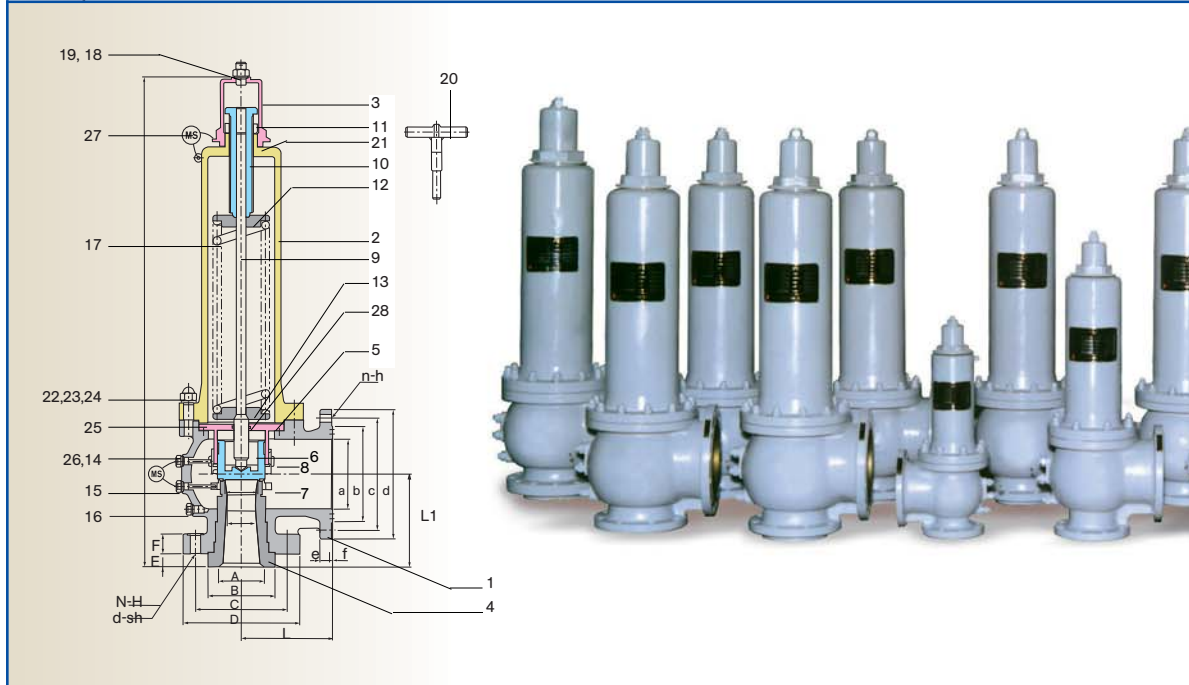
SIZE	H	D	A
8A	65	6	PT 1/4
10A	75	8	PT 3/8
15A	95	10	PT 1/2
20A	110	14	PT 3/4
25A	122	19	PT 1

※ Remark 1. Material is to be changed in case of NH₃
2. Please contact us when applying for other gases

※참고 1. 암모니아용일 경우 일부 재질을 변경함.
2. 다른 가스 용도로 사용할 경우 당사로 연락바람.

MS ENG. SPECIAL SAFETY VALVE

MODEL NO : WSN-5120



MATERIAL

NO	PART-NAME	MATERIAL	NO	PART-NAME	MATERIAL
1	BODY	SCPH2	15	LOWER SET BOLT	STS 304
2	BONNET	SCPH2	16	DRAIN BOLT	STS 304
3	CAP	SCPH2	17	SPRING	SUP 9A
4	NOZZLE	STS 304	18	PLUG BOLT	STS 304
5	GUIDE	SSC 13A	19	PACKING	C1100P
6	VALVE DISK	STS 304	20	TEST GAG	STS 304
7	LOWER ADJUST RING	SSC 13A	21	PACKING	ASBESTOS
8	UPPER ADJUST RING	SSC 13A	22	STUD BOLT	S25C
9	SPINDLE	STS 304	23	SPRING WASHER	SUP 6
10	ADJUST SCREW	C3604B	24	CAP NUT	S45C
11	SET NUT	STS 304	25	GASKET	ASBESTOS
12	UPPER SPRING DISK	SS 41	26	PACKING	C1100P
13	LOWER SPRING DISK	SS 41	27	SEAL	Pb
14	UPPER SET BOLT	STS 304	28	O - RING	N.B.R

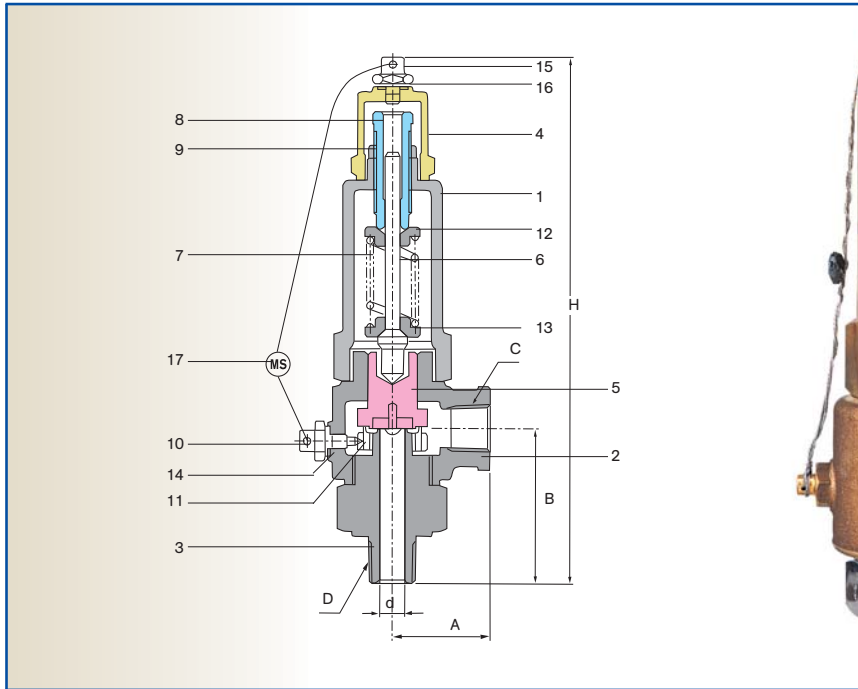
DIMENSION

unit : mm

SIZE	H	d	d ₁	L	L ₁	INLET FLANGE						OUTLET FLANGE					
						D	C	g	t	f	n-øh	D ₁	C ₁	g ₁	t ₁	f ₁	n ₁ -h ₁
50A	605	38	32	150	140	165	127	84.1	22.5	14	8-20	191	152	108	24	15	4-20
80A	755	43	37	184	170	210	168.3	117.5	29	15	8-23	229	190	135	24	2	4-20
100A	1065	73	63	210	188	254	200	146	32	17	8-23	279.4	242	192	25.5	2	8-23
150A	1260	86	80	256	260	316	270	206.4	37	20	12-23	343	298	246	29	2	8-23
200A	1600	163	141	300	280	381	330	260	42	30	12-26	406	362	305	31	2	12-26

MS ENG. LINE SAFETY VALVE

MODEL NO : WSC - 5313 M(S)



■ MATERIAL

NO	PART-NAME	MATERIAL	NO	PART-NAME	MATERIAL
1	BONNET	C3604B	11	ADJUST RING	C3604B
2	BODY	BC6	12	UPPER SPRING DISK	C3604B
3	NOZZLE	STS 304	13	LOWER SPRING DISK	C3604B
4	CAP	C3604B	14	PACKING	ASBESTOS
5	VALVE DISK	STS 304	15	PLUG BOLT	C3604B
6	SPINDLE	S45C	16	PACKING	FIBER
7	SPRING	STS 304	17	SEAL	Pb
8	ADJUST SCREW	C3604B	18	NAME PLATE	STS 304
9	SET NUT	STS 304			
10	SET BOLT	C3604B			

■ DIMENSION

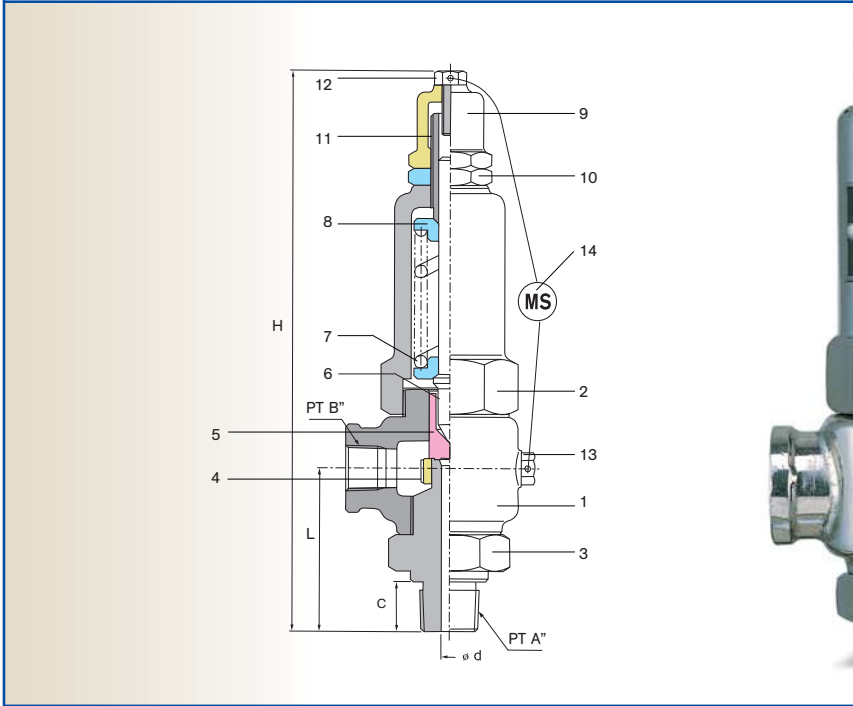
SIZE	H	A	B	d	C	D
15A	190	35	55	10	PT 1/2"	PT 1/2"
20A	195	45	64	16	PT 3/4"	PT 3/4"
25A	199	50	68	20	PT 1"	PT 1"
40A	336	57	86	27	PT 1-1/2"	PT 1-1/2"

unit : mm

S : SOFT SEAT
M : METAL SEAT

MS ENG. HIGH PRESSURE SAFETY VALVE

MODEL NO : WHS - 5316



MATERIAL

NO	PART-NAME	MATERIAL	NO	PART-NAME	MATERIAL
1	BODY	STS 304	9	CAP	STS 304
2	BONNET	STS 304	10	LOCK NUT	STS 304
3	NOZZLE	STS 304	11	ADJUST SCREW	C3604B
4	ADJUST RING	STS 304	12	PLUG BOLT	STS 304
5	VALVE DISK	STS 304	13	SET BOLT	STS 304
6	SPINDLE	S45C	14	SEAL	Pb
7	SPRING	STS 304	15	NAME PLATE	STS 304
8	SPRING DISK	C3604B			

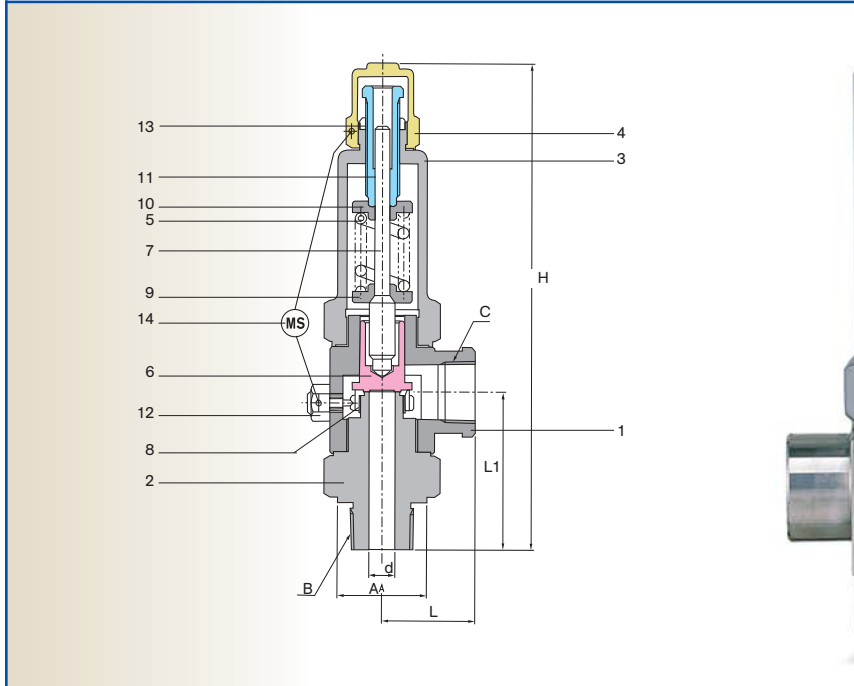
DIMENSION

unit : mm

SIZE	H	L	C	d	A	B
15A	203	59	18	6	PT 1/2"	PT 3/4"

MS ENG. LINE SAFETY VALVE

MODEL NO : WLS - 5317



■ MATERIAL

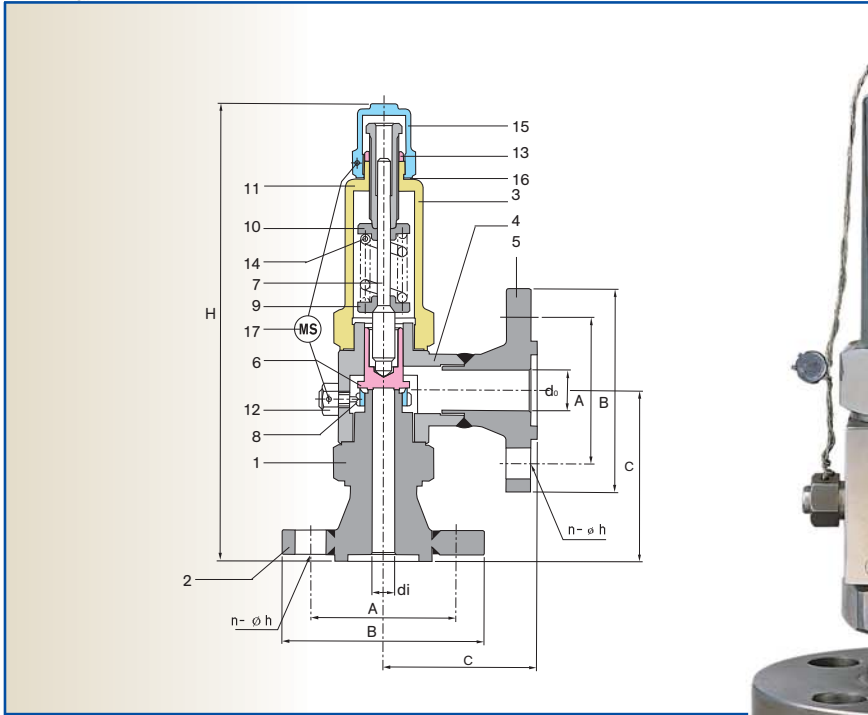
NO	PART-NAME	MATERIAL	NO	PART-NAME	MATERIAL
1	BODY	STS 304	8	ADJUST RING	STS 304
2	NOZZLE	STS 304	9	LOWER SPRING DISK	STS 304
3	BONNET	STS 304	10	UPPER SPRING DISK	STS 304
4	CAP	STS 304	11	ADJUST SCREW	STS 304
5	SPRING	STS 304	12	SET BOLT	STS 304
6	VALVE DISK	STS 304	13	SET NUT	STS 304
7	SPINDLE	STS 304	14	SEAL	Pb

■ DIMENSION

unit : mm

SIZE	H	L	L ₁	d	A	B	C
10A	205	35	62	8	30	PT 3/8"	PT 3/8"
15A	214	39	67	10	35	PT 1/2"	PT 1/2"
20A	237	42	78	12	36	PT 3/4"	PT 3/4"
25A	270	50	84	16	42	PT 1"	PT 1"
40A	324	70	100	19	45	PT 1 1/2"	PT 1 1/2"
50A	470	86	125	24	48	PT 2"	PT 2"

MODEL NO : WSSG - 5329



■ MATERIAL

NO	PART-NAME	MATERIAL	NO	PART-NAME	MATERIAL
1	NOZZLE	STS 304	10	UPPER SPRING DISK	STS 304
2	INLET FLANGE	STS 304	11	ADJUST SCREW	STS 304
3	BONNET	STS 304	12	SET BOLT	STS 304
4	BODY	STS 304	13	SET NUT	STS 304
5	OUTLET FLANGE	STS 304	14	SPRING	STS 304
6	VALVE DISK	STS 304	15	CAP	STS 304
7	SPINDLE	STS 304	16	GASKET	P.T.F.E
8	ADJUST RING	STS 304	17	SEAL	Pb
9	LOWER SPRING DISK	STS 304			

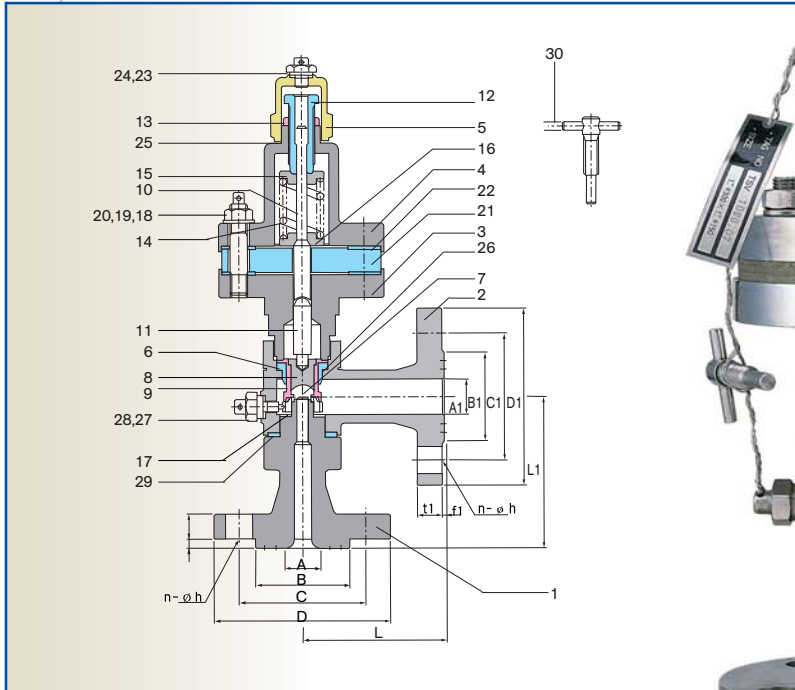
■ DIMENSION

unit : mm

SIZE	H	A	B	C	di	do	n - øh
15A	220	70	95	80	10	15	4 - 15
20A	250	75	100	90	12	20	4 - 15
25A	280	90	125	95	16	25	4 - 19
40A	340	105	140	120	19	40	4 - 19
50A	380	120	155	125	26	50	8 - 19

MS ENG. CRYOGENIC SAFETY VALVE

MODEL NO : WCSV - 5328



MATERIAL

NO	PART-NAME	MATERIAL	NO	PART-NAME	MATERIAL
1	NOZZLE	STS 316L	16	LOWER SPRING DISK	STS 316L
2	BODY	STS 316L	17	ADJUST RING	STS 316L
3	EXTENSION BONNET	STS 316L	18	STUD BOLT	STS 304
4	BONNET	STS 316L	19	NUT	STS 304
5	CAP	STS 316L	20	SPRING WASHER	STS 304
6	GUIDE	STS 316L	21	THERMAL BARRIER	ASBESTORITH
7	DISK PLATE	STS 316L	22	GASKET	KLINGER OILIT
8	DISK HOLDER	STS 316L	23	PLUG BOLT	STS 316L
9	VALVE DISK	STS 316L	24	PACKING	KLINGER OILIT
10	SPINDLE	STS 316L	25	PACKING	KLINGER OILIT
11	SPINDLE LINK	STS 316L	26	PACKING	KLINGER OILIT
12	ADJUST SCREW	STS 316L	27	SET BOLT	STS 316L
13	SET NUT	STS 316L	28	PACKING	KLINGER OILIT
14	SPRING	STS 304	29	NOZZLE GASKET	KLINGER OILIT
15	UPPER SPRING DISK	STS 316L	30	TEST GAG	KLINGER OILIT

DIMENSION

unit : mm

SIZE	H	L	L1	A	a	INLET FLANGE						OUTLET FLANGE					
						B	C	D	E	F	N-øH	b	c	d	e	f	n-øh
25A	328	100	100	25	25	60	90	125	15	1	4-19	67	90	125	15	1	4-19

S : SOFT SEAT
M : METAL SEAT