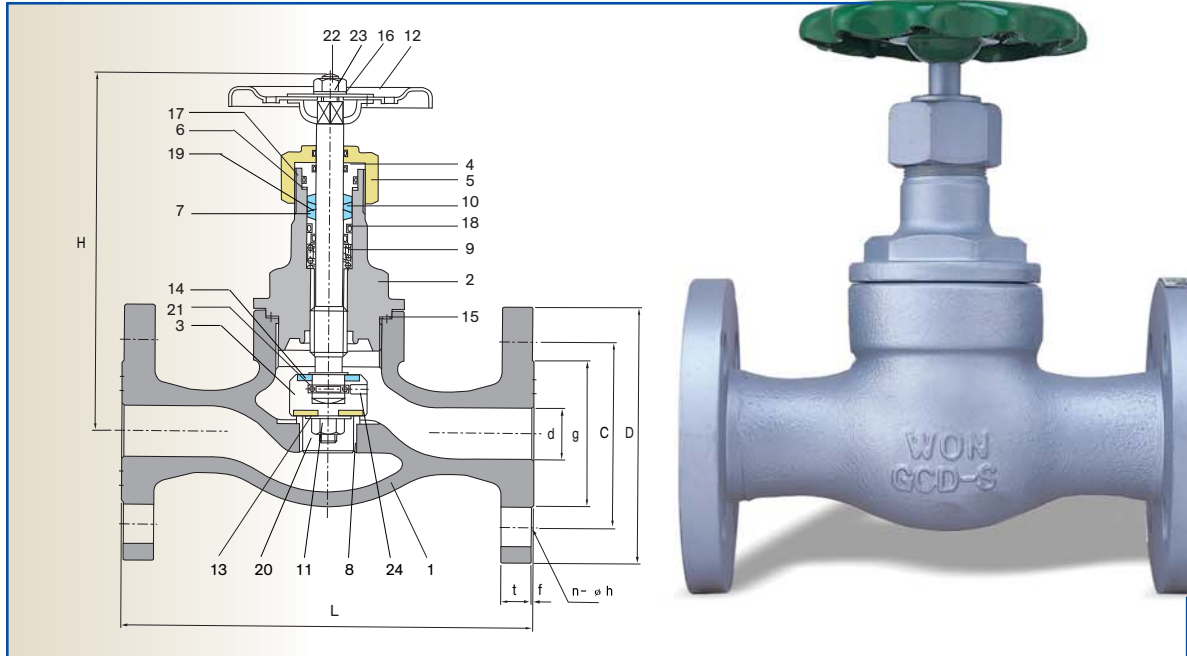


MS ENG. 20KG/CM² FLANGED GLOBE VALVE

MODEL NO : WGV - 1121(L.P.G),
WGV - 1221(NH₃)



■ MATERIAL

| NO. | PART NAME | MATERIAL | NO. | PART NAME | MATERIAL |
|-----|---------------|----------|-----|---------------|----------|
| 1 | BODY | GCD-S | 13 | VALVE SEAT | P.T.F.E |
| 2 | BONNET | S20C | 14 | BACK SEAT | P.T.F.E |
| 3 | VALVE DISK | S20C | 15 | GASKET | ASBESTOS |
| 4 | SPINDLE | STS 304 | 16 | NAME PLATE | AL |
| 5 | GLAND NUT | S20C | 17 | O-RING | N.B.R |
| 6 | GLAND | C3604B | 18 | O-RING | N.B.R |
| 7 | PACKING GLAND | C3604B | 19 | O-RING | N.B.R |
| 8 | SEAT RING | STS 304 | 20 | NUT | STS 304 |
| 9 | SPRING | STS 304 | 21 | BALL | SUJ2 |
| 10 | PACKING | P.T.F.E | 22 | NUT | S20C |
| 11 | WASHER | STS 304 | 23 | SPRING WASHER | STS 304 |
| 12 | HANDLE | SPCC | 24 | SET SCREW | STS 304 |

■ SPECIFICATION

- Hydrostatic test pressure : 2.94MPa
- Pneumatic test pressure : 1.96MPa
- Fluid : L.P.G, NG, NH₃

■ DIMENSION

unit : mm

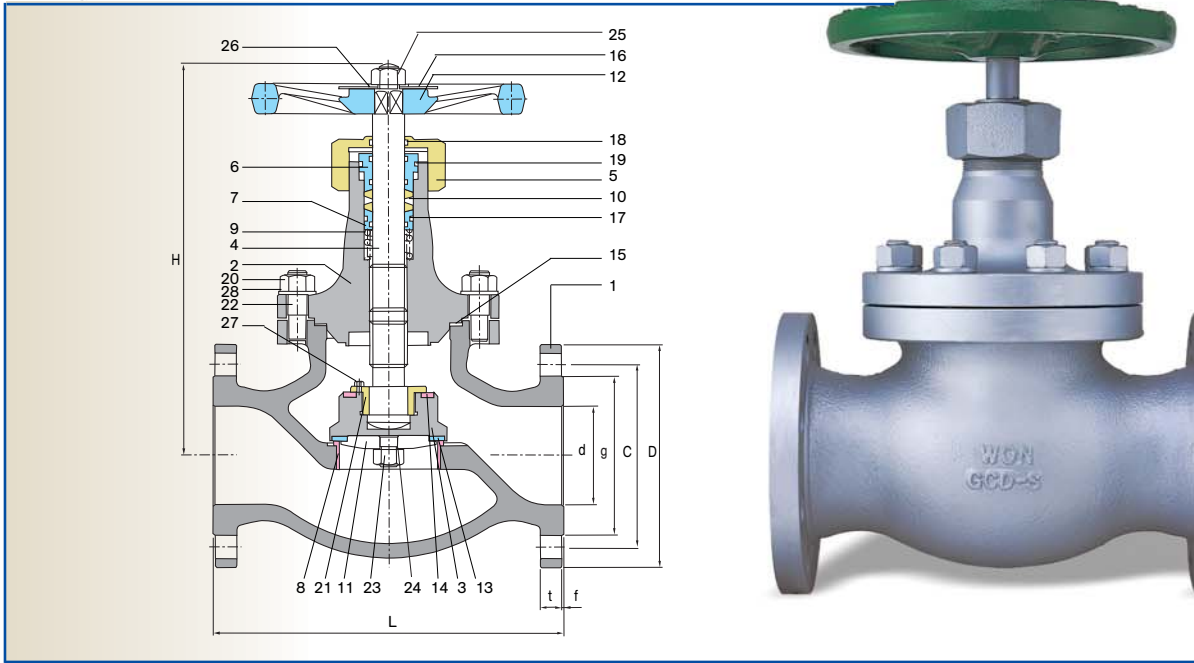
| SIZE | H | L | d | g | C | D | t | f | n-øh | LIFT |
|------|-----|-----|----|----|-----|-----|----|---|------|------|
| 15A | 140 | 152 | 15 | 50 | 70 | 95 | 13 | 1 | 4-15 | 10 |
| 20A | 148 | 178 | 20 | 56 | 75 | 100 | 15 | 1 | 4-15 | 11 |
| 25A | 170 | 203 | 25 | 67 | 90 | 125 | 15 | 1 | 4-19 | 13 |
| 40A | 194 | 229 | 40 | 81 | 105 | 140 | 16 | 2 | 4-19 | 17 |
| 50A | 219 | 267 | 50 | 96 | 120 | 155 | 16 | 2 | 8-19 | 19 |

※ Remark 1. Material is to be changed in case of NH₃
2. Please contact us when applying for other gases

※참고 1. 암모니아용일 경우 일부 재질을 변경함.
2. 다른 가스 용도로 사용할 경우 당사로 연락바람.

MS ENG. 20KG/CM² FLANGED GLOBE VALVE

MODEL NO : WGV - 1122(L.P.G),
WGV - 1222(NH₃)



■ MATERIAL

| NO. | PART NAME | MATERIAL | NO. | PART NAME | MATERIAL |
|-----|---------------|----------|-----|----------------|----------|
| 1 | BODY | GCD-S | 15 | GASKET | P.T.F.E |
| 2 | BONNET | GCD-S | 16 | NAME PLATE | AL |
| 3 | VALVE DISK | S20C | 17 | O-RING | N.B.R |
| 4 | SPINDLE | STS 304 | 18 | O-RING | N.B.R |
| 5 | GLAND NUT | GCD-S | 19 | O-RING | N.B.R |
| 6 | GLAND | C3604B | 20 | NUT | N.B.R |
| 7 | PACKING GLAND | C3604B | 21 | DISK STEM RING | S25C |
| 8 | SEAT RING | STS 304 | 22 | STUD BOLT | SS41 |
| 9 | SPRING | STS 304 | 23 | NUT | S25C |
| 10 | PACKING | P.T.F.E | 24 | SPRING WASHER | STS 304 |
| 11 | WASHER | STS 304 | 25 | NUT | S25C |
| 12 | HANDLE | GCD-S | 26 | SPRING WASHER | SUP 6 |
| 13 | VALVE SEAT | P.T.F.E | 27 | WRENCH BOLT | SCM 415 |
| 14 | BACK SEAT | P.T.F.E | 28 | SPRING WASHER | SUP6 |

■ SPECIFICATION

- Hydrostatic test pressure : 2.94MPa
- Pneumatic test pressure : 1.96MPa
- Fluid : L.P.G, NG, NH₃

■ DIMENSION

unit : mm

| SIZE | H | L | d | g | C | D | t | f | n - øh | LIFT |
|------|-----|-----|-----|-----|-----|-----|----|---|--------|------|
| 65A | 272 | 292 | 65 | 116 | 140 | 175 | 18 | 2 | 8-19 | 22 |
| 80A | 311 | 318 | 80 | 132 | 160 | 200 | 20 | 2 | 8-23 | 26 |
| 100A | 400 | 356 | 100 | 160 | 185 | 225 | 22 | 2 | 8-23 | 43 |

※ Remark 1. Material is to be changed in case of NH₃
2. Please contact us when applying for other gases

※ 참고 1. 암모니아용일 경우 일부 재질을 변경함.
2. 다른 가스 용도로 사용할 경우 당사로 연락바람.