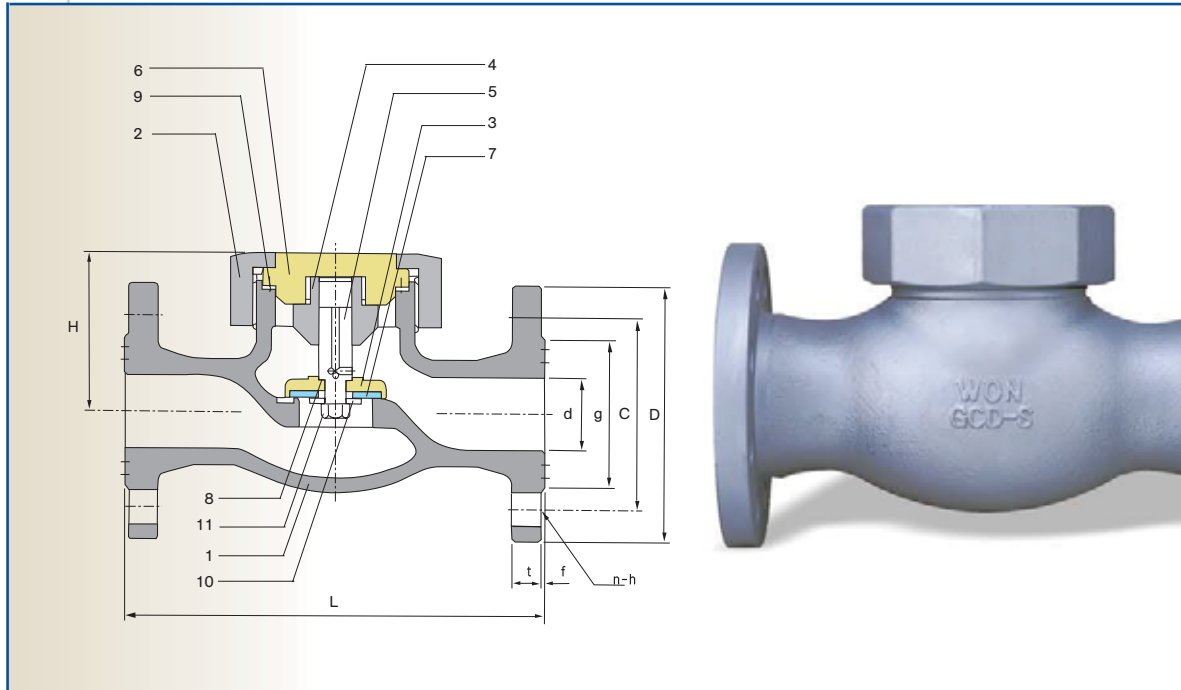


MS ENG. 20KG/CM<sup>2</sup> FLANGED CHECK VALVEMODEL NO : WCV-2121(L.P.G), WCV - 2221(NH<sub>3</sub>)

## MATERIAL

NO.	PART NAME	MATERIAL
1	BODY	GCD-S
2	GLAND NUT	S45C
3	VALVE DISK	STS 304
4	GUIDE	C3604B
5	SPINDLE	STS 304
6	CAP	SS41
7	VALVE SEAT	P.T.F.E
8	BACK SEAT	P.T.F.E
9	GASKET	ASBESTOS
10	WASHER	STS 304
11	NYLON NUT	STS 304

## SPECIFICATION

- Application:  
to prevent back - flowing
- Hydrostatic test pressure :  
2.94MPa
- Pneumatic test pressure :  
1.96MPa
- Fluid : L.P.G, NG, NH<sub>3</sub>

## DIMENSION

unit : mm

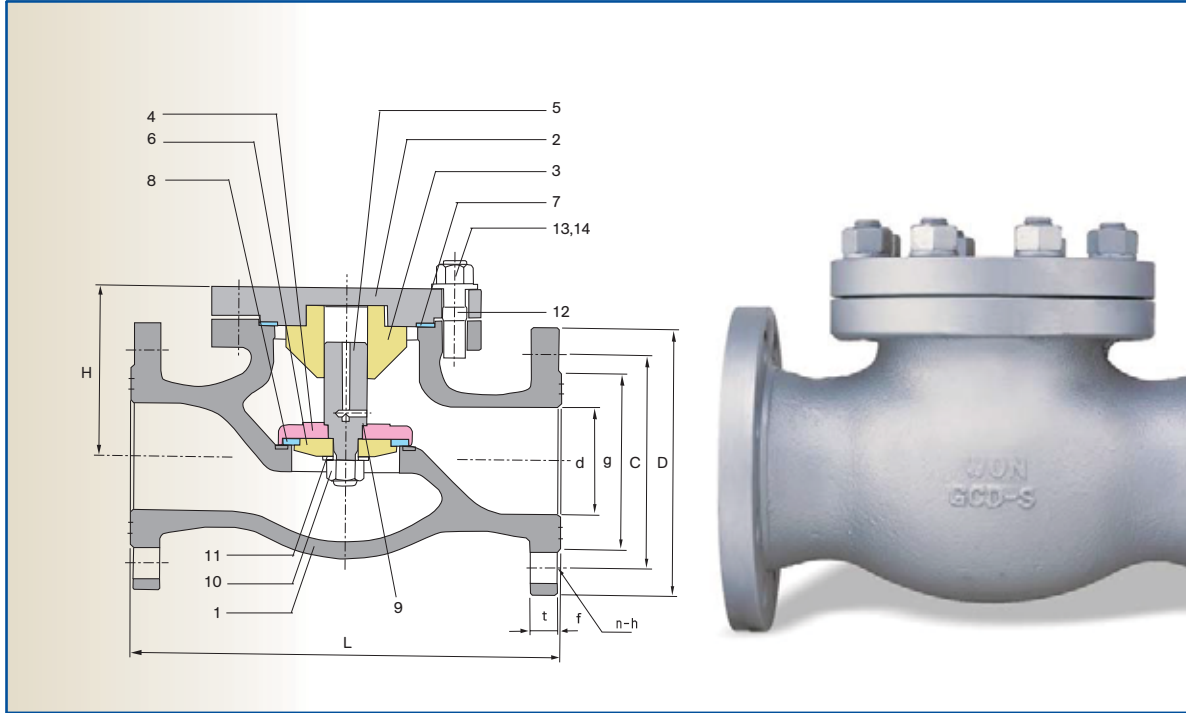
SIZE	H	L	d	g	C	D	t	f	N - ϕh
25A	71	203	25	67	90	125	15	1	4 -15
40A	87	229	40	81	105	140	16	2	4 -19
50A	100	267	50	96	120	155	16	2	8 -19

※ Remark 1. Material is to be changed in case of NH<sub>3</sub>  
2. Please contact us when applying for other gases

※참고 1. 암모니아용일 경우 일부 재질을 변경함.  
2. 다른 가스 용도로 사용할 경우 당사로 연락바람

MIS ENG. 20KG/CM<sup>2</sup> FLANGED CHECK VALVE

MODEL NO : WCV-2122(L.P.G), WCV - 2222(NH<sub>3</sub>)



■ MATERIAL

NO.	PART NAME	MATERIAL
1	BODY	GCD-S
2	CAP	SS41
3	GUIDE	C3604B
4	VALVE DISK	STS 304
5	SPINDLE	STS 304
6	WASHER	STS 304
7	GASKET	ASBESTOS
8	VALVE SEAT	P.T.F.E
9	BACK SEAT	P.T.F.E
10	NUT	STS 304
11	WASHER	STS 304
12	STUD BOLT	S45C
13	NUT	S45C
14	SPRING WASHER	SUP6

■ SPECIFICATION

- Application:  
to prevent back - flowing
- Hydrostatic test pressure :  
2.94MPa
- Pneumatic test pressure :  
1.96MPa
- Fluid : L.P.G, NG, NH<sub>3</sub>

■ DIMENSION

unit : mm

SIZE	H	L	d	g	C	D	t	f	N- ø h
65A	119	292	65	116	140	175	18	2	8-19
80A	129	318	80	132	160	200	20	2	8-23
100A	161	356	100	160	185	225	22	2	8-23

※ Remark 1. Material is to be changed in case of NH<sub>3</sub>  
2. Please contact us when applying for other gases

※참고 1. 암모니아용일 경우 일부 재질을 변경함.  
2. 다른 가스 용도로 사용할 경우 당사로 연락바람.