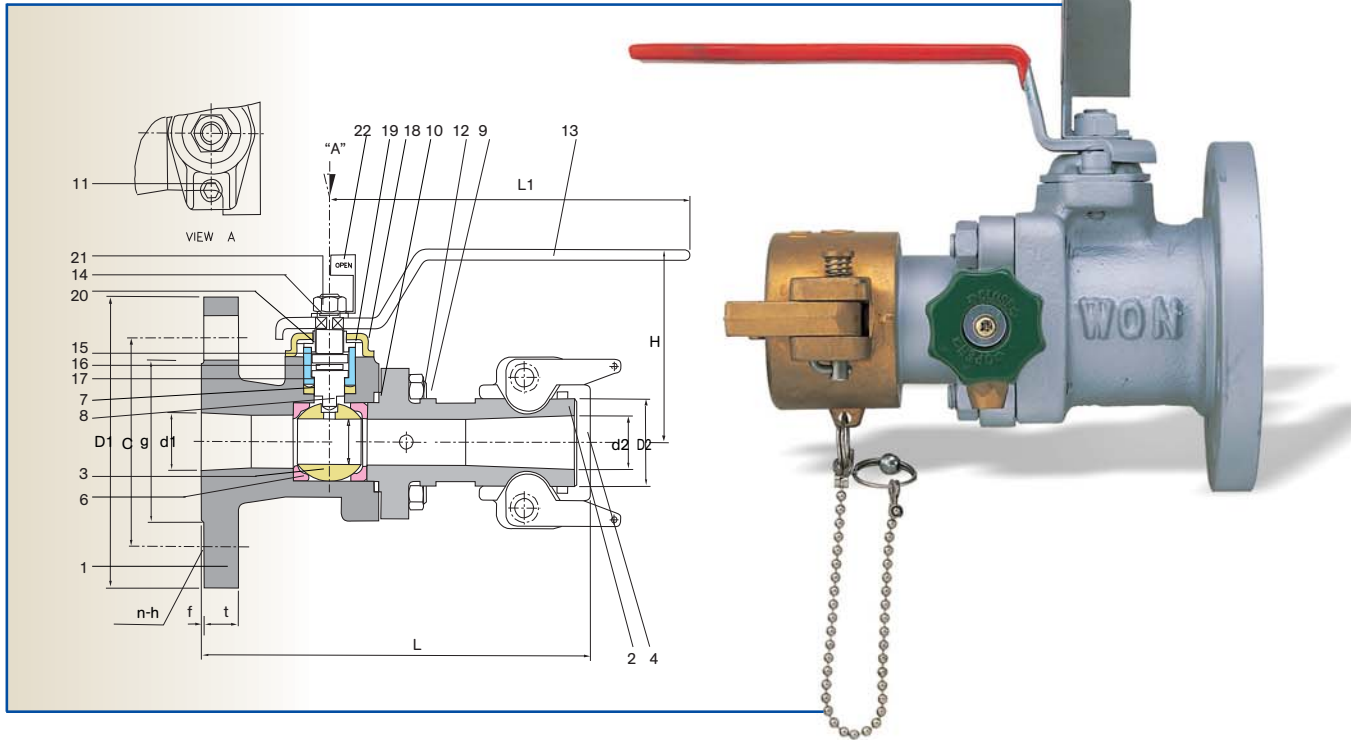


MS ENG. TRANSFER BALL VALVE

MODEL NO : WTBV - 1124



MATERIAL

NO.	PART NAME	MATERIAL	NO.	PART NAME	MATERIAL
1	BODY	SCPH2	13	LEVER	SS41
2	COUPLER	STS 304	14	SPRING WASHER	S20C
3	BALL DISK	STS 304	15	PACKING	P.T.F.E
4	COUPLER CAP	C3604	16	O-RING	N.B.R
5	DRAIN VALVE	C3604	17	O-RING	N.B.R
6	BALL SEAT	P.T.F.E	18	GLAND	STS 304
7	BALL SEAT	P.T.F.E	19	BONNET	SS41
8	SPINDLE	STS 304	20	SPRING	SUP9
9	STUD BOLT	S45C	21	GLAND BUSH	STS 304
10	GASKET	ASBESTOS	22	U-NUT	S20C
11	WRENCH BOLT	S45C	23	NAME PLATE	STS 304
12	NUT	S45C			

SPECIFICATION

- Application : to be Installed on tank lorry
- Hydrostatic test pressure : 2.94 MPa
- Pneumatic test pressure : 1.96 MPa
- Fluid : L.P.G

DIMENSION

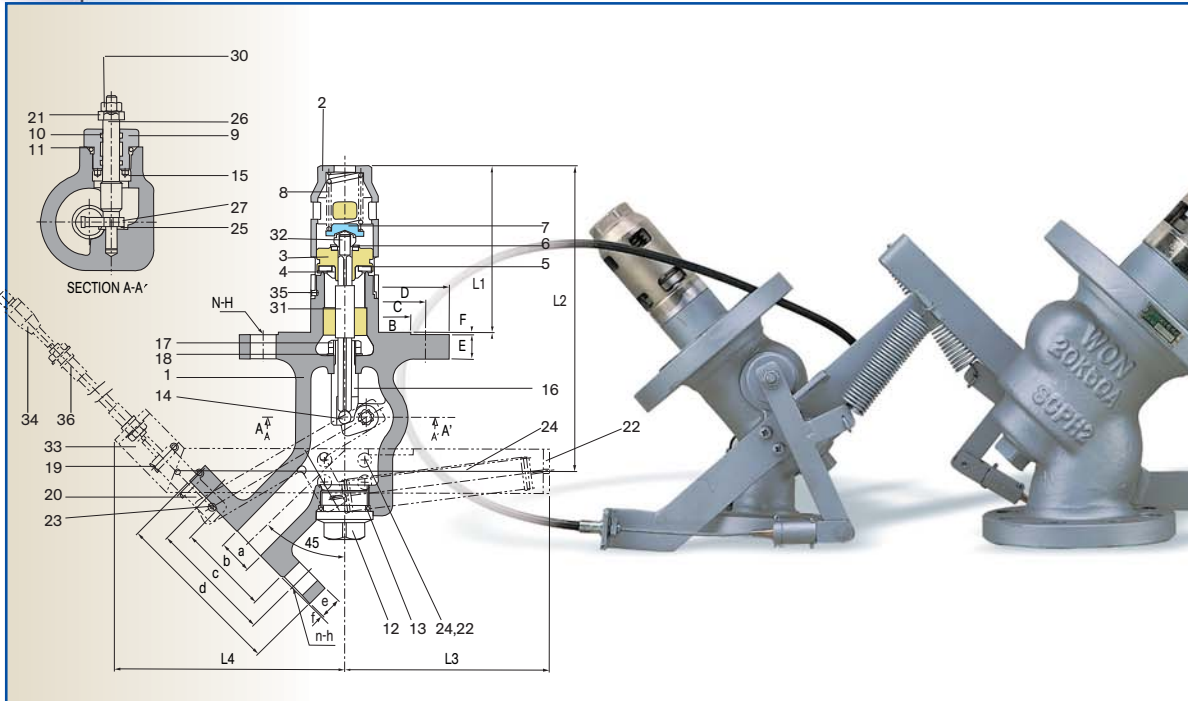
unit : mm

SIZE	H	L	L1	d1	d2	g	C	D1	D2	t	f	n-øh
25A	98	168	160	25	22	68	90	125	38	15	1	4-19
50A	120	215	200	50	40	96	120	155	65	17	2	8-19



TANK LORRY EMERGENCY SHUT-OFF VALVE

MODEL NO : WTEV - 4123



MATERIAL

NO.	PART NAME	MATERIAL	NO.	PART NAME	MATERIAL
1	BODY	SCPH2	19	SPLIT PIN	SWRM10
2	BONNET	SCS13A	20	JOINT	C3604B
3	VALVE DISK	STS 304	21	ARM	SS41
4	GLAND NUT	STS 304	22	SPRING	SWPA
5	VALVE SEAT	P.T.F.E	23	PIN	SS41
6	BACK SEAT	P.T.F.E	24	BRACKET	SS41
7	SPRING DISK	STS 304	25	RING	STS 304
8	SPRING	STS 304	26	SPINDLE	STS 304
9	GLAND BOLT	C3604B	27	CAM	STS 304
10	O-RING	N.B.R	28	BOLT	S20C
11	O-RING	N.B.R	29	SPRING WASHER	S20C
12	PLUG BOLT	SS41	30	U-NUT	S20C
13	O-RING	N.B.R	31	ROD	STS 304/96
14	BALL	SUJ	32	PILOT VALVE	STS 304/96
15	BUSH SCREW	C3604B	33	FUSE METAL	C3604B
16	ADJUST BOLT	SS41	34	FUSE METAL	STS 304
17	LOCK NUT	SS41	35	WRENCH BOLT	S45C
18	WASHER	STS 304	36	CABLE	

SPECIFICATION

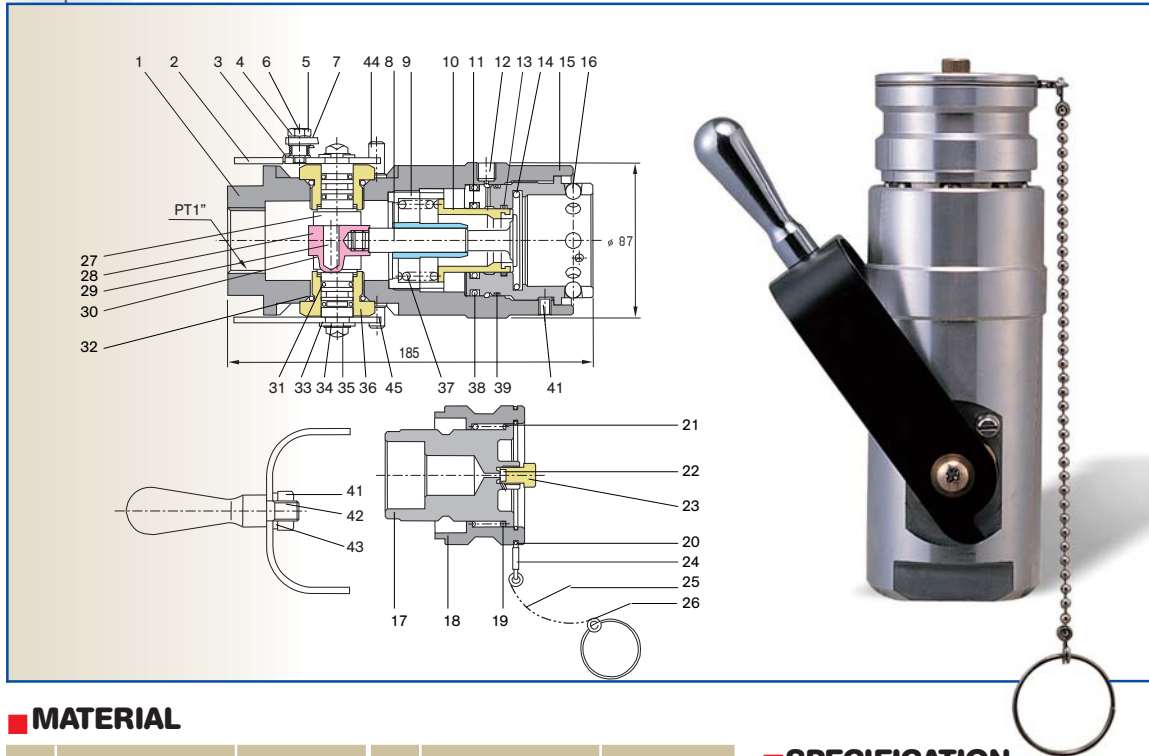
- Application : to close the valve against emergency
- Hydrostatic test pressure : 2.94 MPa
- Pneumatic test pressure : 1.96 MPa
- Maximum working pressure : 2.35 MPa
- Working temperature : -5 ~ +40°C
- Melting temperature of fuse metal : 75°C
- Fluid : L.P.G

DIMENSION

SIZE	L1	L2	L3	L4	A	a	INLET FLANGE						OUTLET FLANGE					
							B	C	D	E	F	N-∅H	b	c	d	e	f	n-∅h
25A	123	224	150	170	50	25	98	120	155	18	1.5	8-19	67	90	125	16	1	4-19
50A	168	258	180	160	80	50	132	160	200	20	2	8-23	96	120	155	18	2	8-19

MS ENG. BULK LORRY FEMALE COUPLING

MODEL NO : WBFC - 6112



MATERIAL

NO.	PART NAME	MATERIAL	NO.	PART NAME	MATERIAL
1	BODY	A6061P	24	CLIP	STS 304
2	LEVER	SPCC	25	CHAIN ASS'Y	
3	SPRING LOCK ARM	STS 304	26	RING CHAIN	STS 304
4	FLAT WASHER	STS 304	27	CAM SHAFT	STS 304
5	NUT	STS 304	28	CAM	SCM4
6	HINGE	STS 304	29	PIN	SCM4
7	LOCK ARM	SPCC	30	BACK-UP RING	P.T.F.E
8	STEM	STS 304	31	O-RING	N.B.R
9	GUIDE STEM	C3604	32	O-RING	N.B.R
10	CHECK V/V, SEAT	C3604, N.B.R	33	FLAT WASHER	C3604
11	O-RING	N.B.R	34	WASHER	SPS
12	SET SCREW	MSWR	35	R.H.C SCREW	MSWR57
13	O-RING	N.B.R	36	BUSH HINGE	C3604
14	O-RING	N.B.R	37	SPRING SEAT	STS 304
15	FEMALE COUPLING	STS 304	38	O-RING	N.B.R
16	BALL	STS 304	39	O-RING	N.B.R
17	PLUG COUPLER	A6061P	40	SET SCREW	STS 304
18	CASE PLUG COPULER	A6061P	41	NUT	MSWR
19	SPRING PLUG COUPLER	STS 304	42	HANDLE	C3604
20	RING CLIP	STS 304	43	SPRING WASHER	HSWR
21	STOP RING	STS 304	44	STOP PIN R.H	STS 304
22	PACKING PLUG	N.B.R	45	STOP PIN L.H	STS 304
23	PLUG	C3604			

SPECIFICATION

- The filling connector to bulk lorry
- Hydrostatic test pressure : 2.94 MPa
- Pneumatic test pressure : 1.96 MPa
- Fluid : L.P.G



MS ENG.

BULK LORRY MALE COUPLING

MODEL NO : WBLC - 6111

■ SPECIFICATION

- Application : the filling connector between bulk lorry and storage tank
- Hydrostatic test pressure : 2.94 MPa
- Pneumatic test pressure : 1.96 MPa
- Material : C3604B / STS 304
- Connection : PT 1"
- Fluid : L.P.G



MS ENG.

ANTI OVERFILLING VALVE

MODEL NO : WOV - 4134

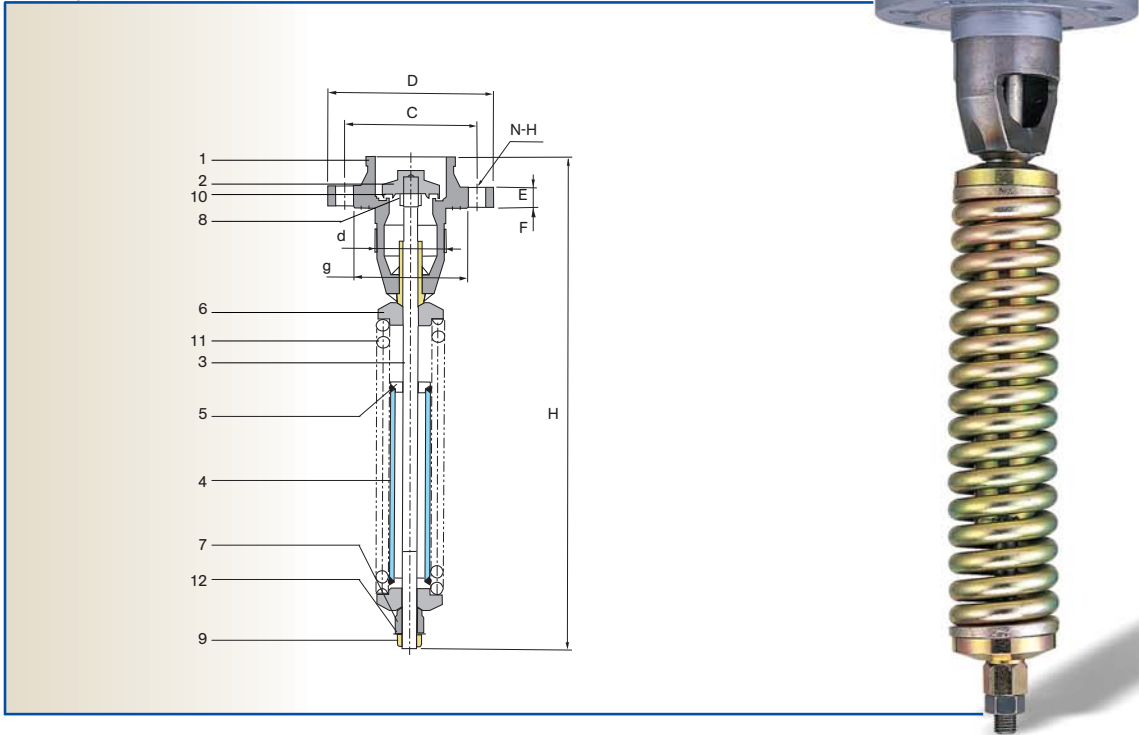
■ SPECIFICATION

- Type : overfilling preventing valve
- Hydrostatic test pressure : 2.94 MPa
- Pneumatic test pressure : 1.96 MPa
- Material : C3604B / STS 304 / SS41
- Connection : 1" welding
- Fluid : L.P.G



MIS ENG. INTERNAL SAFETY VALVE

MODEL NO : WTSV-5125



MATERIAL

NO.	PART NAME	MATERIAL
1	BODY	SCPH2
2	VALVE DISK	STS 304
3	STEM	STS 304
4	STOPPER	SS 41
5	STOPPER COVER	SS 41
6	SPRING DISK	SS 41
7	ADJUST NUT	SS 41
8	LOCK NUT	STS 304
9	NUT	STS 304
10	VALVE SEAT	P. T.F.E
11	SPRING	HSW
12	WASHER	STS 304

SPECIFICATION

- Application:
safety valve for tank lorry
- Orifice diameter : $\phi 46$
- Connection flange :
65A JIS - 20K RF
- Fluid : L.P.G, other gases

DIMENSION

unit : mm

SIZE	H	d	g	C	D	E	F	N- ϕ H
50A	470	74	120	140	175	21	2	8-19

※ Remark 1. Material is to be changed in case of NH₃
2. Please contact us when applying for other gases

※ 참고 1. 암모니아용일 경우 일부 재질을 변경함.
2. 다른 가스 용도로 사용할 경우 당사로 연락바람.