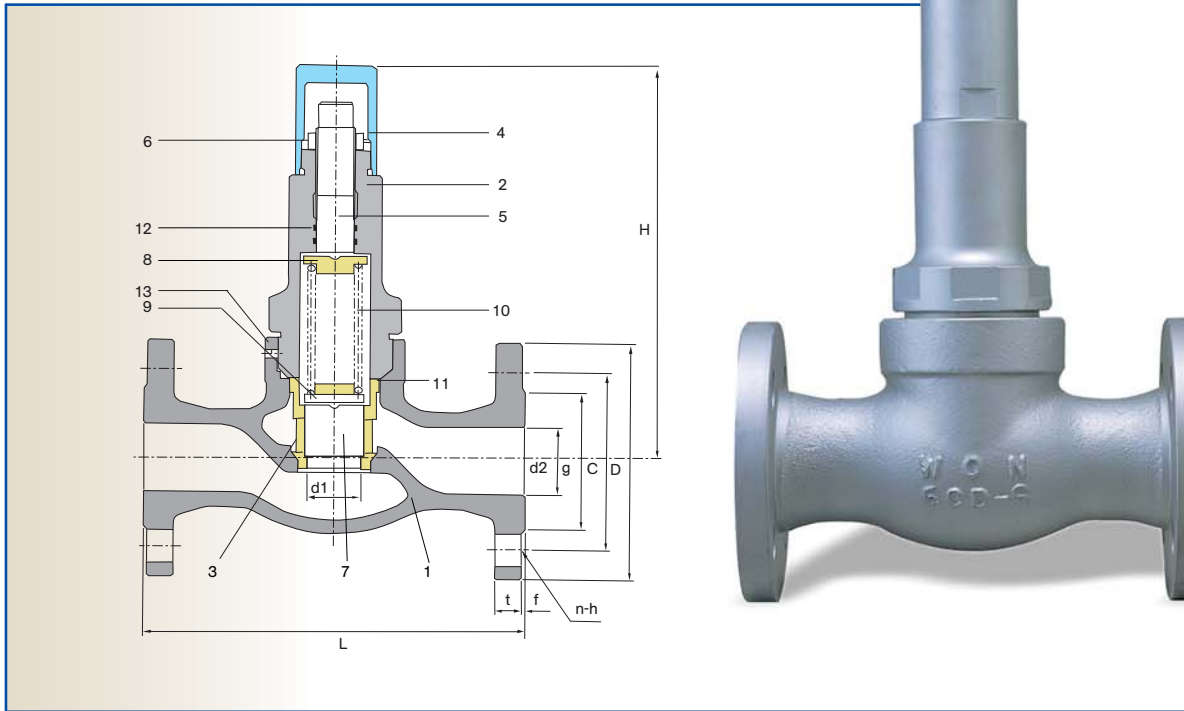


MIS ENG. BY-PASS RELIEF VALVE

MODEL NO : WBRV - 1125 (L.P.G),
WBRV - 1225 (NH₃)



■ MATERIAL

NO.	PART NAME	MATERIAL
1	BODY	GCD-S
2	BONNET	S20C
3	DISK GUIDE	C3604B
4	CAP	S20C
5	ADJUST BOLT	S45C
6	ADJUST NUT	S45C
7	VALVE DISK	STS 304
8	UPPER SPRING DISK	S45C
9	LOWER SPRING DISK	S45C
10	SPRING	SWO - V
11	O-RING	VITON
12	O-RING	VITON
13	SCREW	SM41

■ SPECIFICATION

- Application : to keep regular pressure in pipeline against over-pressure
- Hydrostatic test pressure : 2.94MPa
- Pneumatic test pressure : 1.96MPa
- Working differential pressure : 0.49MPa
- Adjustable range of differential pressure : 0.29 ~ 0.78MPa
- Fluid : L.P.G, NG, NH₃

■ DIMENSION

unit : mm

SIZE	H	L	d1	d2	g	C	D	t	f	n - øh
40A	235	229	32	40	81	105	140	16	2	4-19

※ Remark 1. Material is to be changed in case of NH₃
2. Please contact us when applying for other gases

※참고 1. 암모니아용일 경우 일부 재질을 변경함
2. 다른 가스 용도로 사용할 경우 당사로 연락바람.