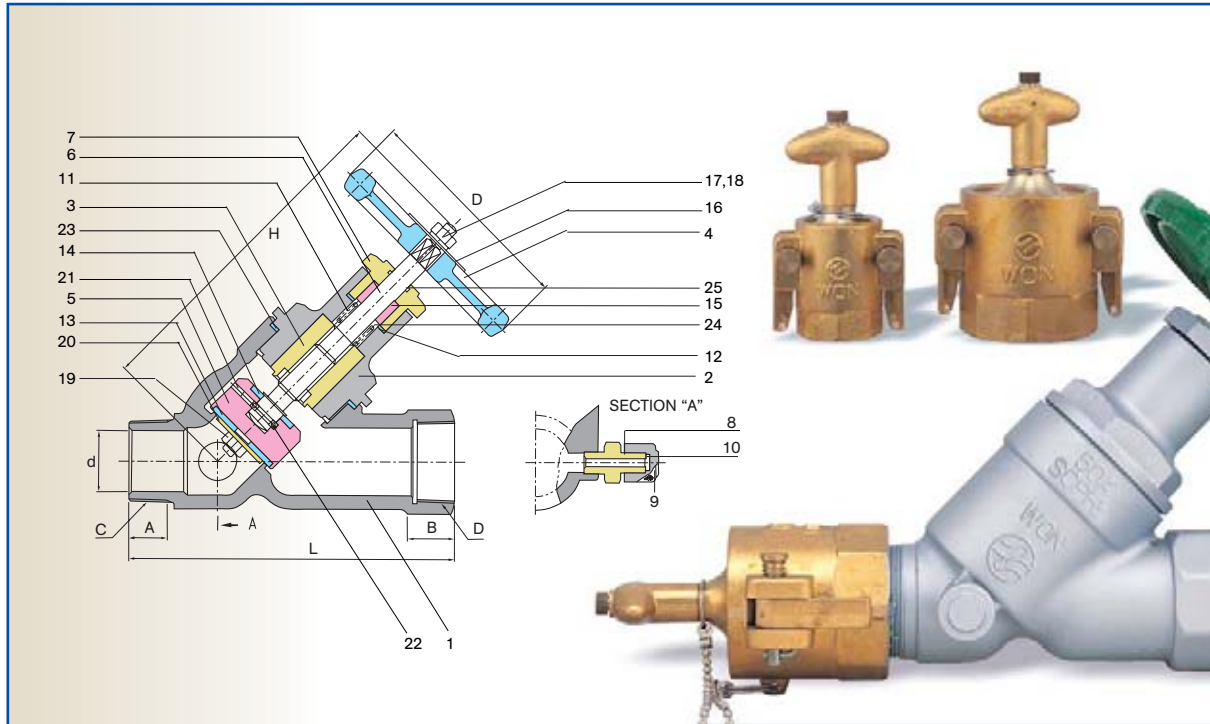




Y-TYPE GLOBE VALVE

MODEL NO : WYV - 1113 (DUCTILE IRON BODY)
WYV - 1118 (CARBON STEEL BODY)



■ MATERIAL

NO.	PART NAME	MATERIAL	NO.	PART NAME	MATERIAL
1	BODY	SCPH ₂ /GCD-S	14	BACK SEAT	P.T.F.E
2	BONNET	S20C	15	V-PACKING	P.T.F.E
3	SCREW BUSH	C3604B	16	NAME PLATE	AL
4	HANDLE	GCD-S	17	HANDLE NUT	S25C
5	VALVE DISK	S25C	18	SPRING WASHER	SUP6
6	SPINDLE	STS 304	19	NUT	STS 304
7	GLAND CAP	S25C	20	WASHER	STS 304
8	HOLDER	C3604B	21	SET SCREW	STS 304
9	DRAIN CAP	C3604B	22	BALL	SUJ2
10	PACKING	N.B.R	23	GASKET	ASBESTOS
11	SPRING	STS 304	24	GASKET	ASBESTOS
12	PACKING PLATE	C3604B	25	O-RING	N.B.R
13	VALVE SEAT	P.T.F.E			

■ SPECIFICATION

- Hydrostatic test pressure : 2.94 MPa
- Pneumatic test pressure : 1.96 MPa
- Y-valve & coupling assembly test pressure : 2.35 MPa
- Fluid : L.P.G, NG

■ DIMENSION

unit : mm

SIZE	L	H	D	d	A	B	C	F
25A	160	186	125	22	23	27	PT 1"	PT 1"
50A	200	254	160	45	28	38	PT 2"	PT 2"