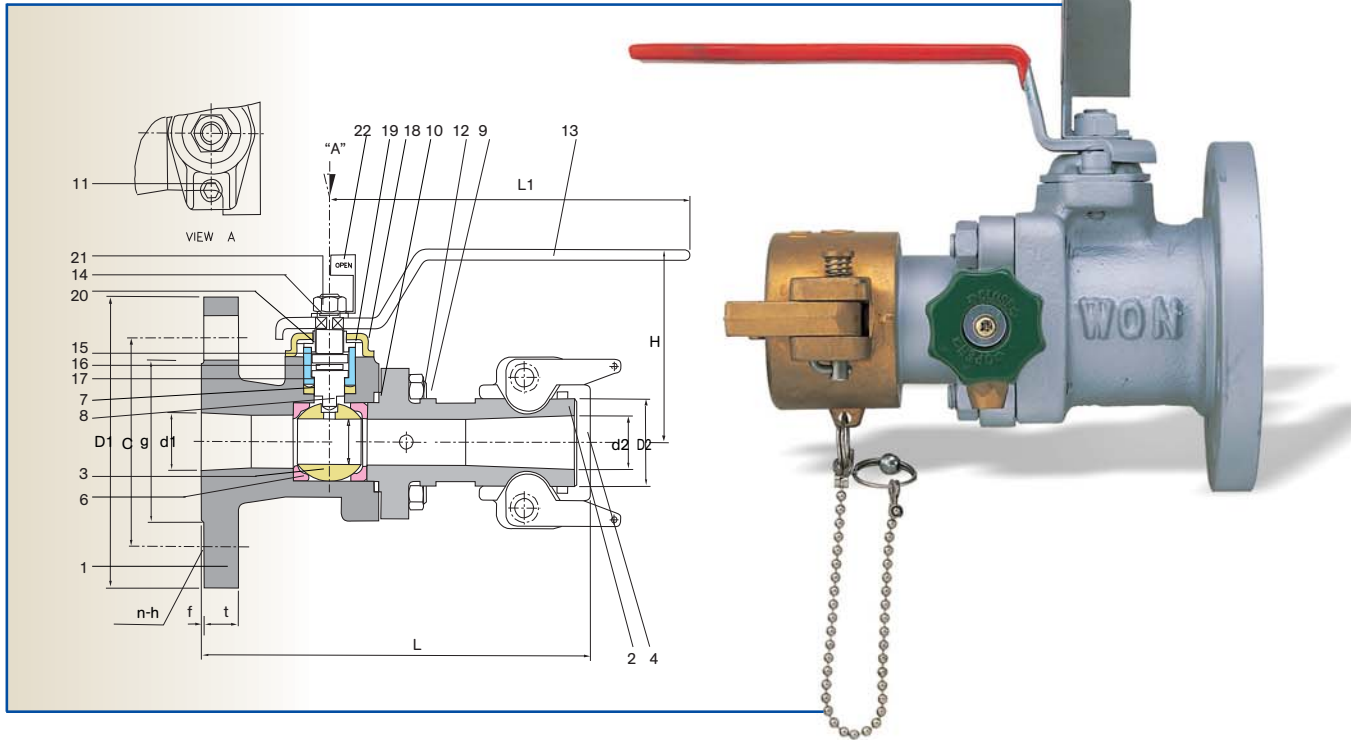


MS ENG. TRANSFER BALL VALVE

MODEL NO : WTBV - 1124



**MATERIAL**

NO.	PART NAME	MATERIAL	NO.	PART NAME	MATERIAL
1	BODY	SCPH2	13	LEVER	SS41
2	COUPLER	STS 304	14	SPRING WASHER	S20C
3	BALL DISK	STS 304	15	PACKING	P.T.F.E
4	COUPLER CAP	C3604	16	O-RING	N.B.R
5	DRAIN VALVE	C3604	17	O-RING	N.B.R
6	BALL SEAT	P.T.F.E	18	GLAND	STS 304
7	BALL SEAT	P.T.F.E	19	BONNET	SS41
8	SPINDLE	STS 304	20	SPRING	SUP9
9	STUD BOLT	S45C	21	GLAND BUSH	STS 304
10	GASKET	ASBESTOS	22	U-NUT	S20C
11	WRENCH BOLT	S45C	23	NAME PLATE	STS 304
12	NUT	S45C			

**SPECIFICATION**

- Application : to be Installed on tank lorry
- Hydrostatic test pressure : 2.94 MPa
- Pneumatic test pressure : 1.96 MPa
- Fluid : L.P.G

**DIMENSION**

unit : mm

SIZE	H	L	L1	d1	d2	g	C	D1	D2	t	f	n-øh
25A	98	168	160	25	22	68	90	125	38	15	1	4-19
50A	120	215	200	50	40	96	120	155	65	17	2	8-19