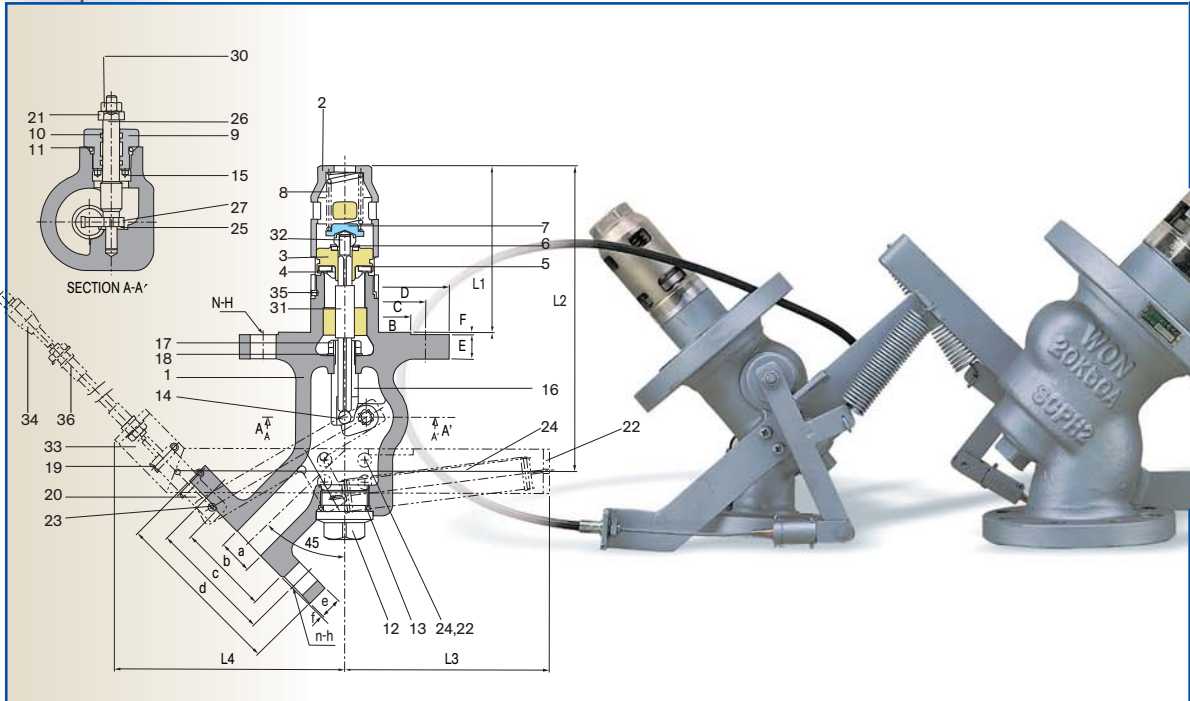




**TANK LORRY EMERGENCY SHUT-OFF VALVE**

**MODEL NO : WTEV - 4123**



**MATERIAL**

NO.	PART NAME	MATERIAL	NO.	PART NAME	MATERIAL
1	BODY	SCPH2	19	SPLIT PIN	SWRM10
2	BONNET	SCS13A	20	JOINT	C3604B
3	VALVE DISK	STS 304	21	ARM	SS41
4	GLAND NUT	STS 304	22	SPRING	SWPA
5	VALVE SEAT	P.T.F.E	23	PIN	SS41
6	BACK SEAT	P.T.F.E	24	BRACKET	SS41
7	SPRING DISK	STS 304	25	RING	STS 304
8	SPRING	STS 304	26	SPINDLE	STS 304
9	GLAND BOLT	C3604B	27	CAM	STS 304
10	O-RING	N.B.R	28	BOLT	S20C
11	O-RING	N.B.R	29	SPRING WASHER	S20C
12	PLUG BOLT	SS41	30	U-NUT	S20C
13	O-RING	N.B.R	31	ROD	STS 304/96
14	BALL	SUJ	32	PILOT VALVE	STS 304/96
15	BUSH SCREW	C3604B	33	FUSE METAL	C3604B
16	ADJUST BOLT	SS41	34	FUSE METAL	STS 304
17	LOCK NUT	SS41	35	WRENCH BOLT	S45C
18	WASHER	STS 304	36	CABLE	

**SPECIFICATION**

- Application : to close the valve against emergency
- Hydrostatic test pressure : 2.94 MPa
- Pneumatic test pressure : 1.96 MPa
- Maximum working pressure : 2.35 MPa
- Working temperature : -5 ~ +40°C
- Melting temperature of fuse metal : 75°C
- Fluid : L.P.G

**DIMENSION**

SIZE	L1	L2	L3	L4	A	a	INLET FLANGE						OUTLET FLANGE					
							B	C	D	E	F	N-∅H	b	c	d	e	f	n-∅h
25A	123	224	150	170	50	25	98	120	155	18	1.5	8-19	67	90	125	16	1	4-19
50A	168	258	180	160	80	50	132	160	200	20	2	8-23	96	120	155	18	2	8-19