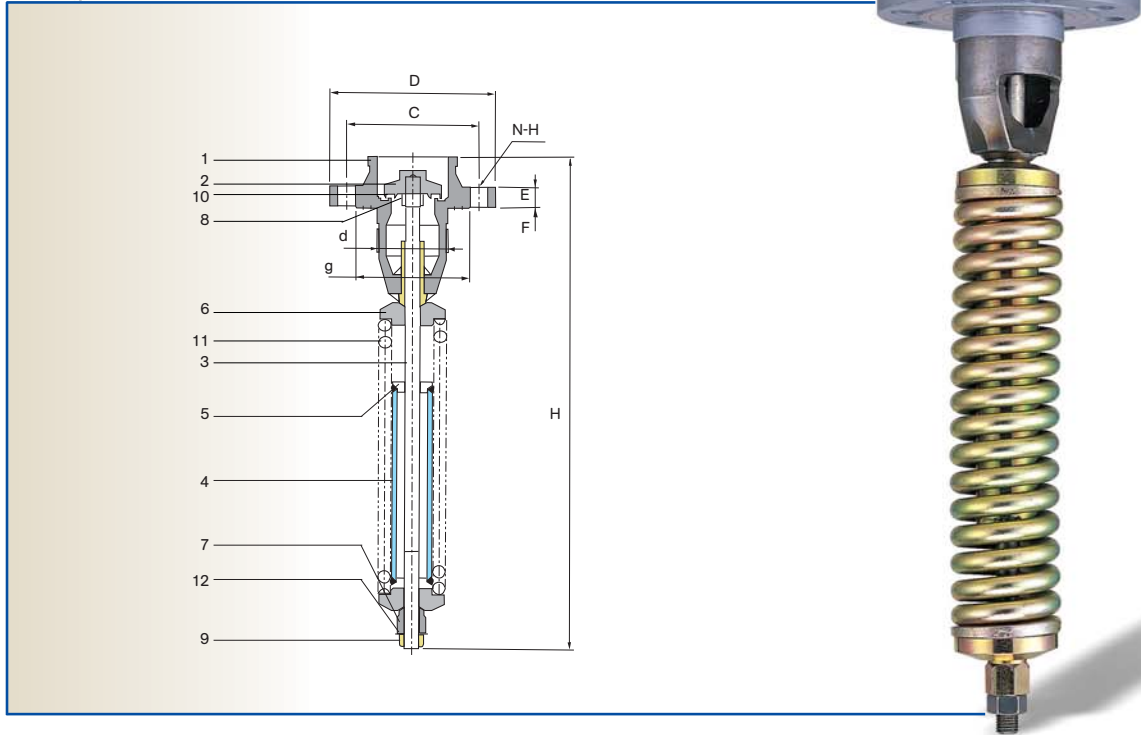


MIS ENG. INTERNAL SAFETY VALVE

MODEL NO : WTSV-5125



MATERIAL

NO.	PART NAME	MATERIAL
1	BODY	SCPH2
2	VALVE DISK	STS 304
3	STEM	STS 304
4	STOPPER	SS 41
5	STOPPER COVER	SS 41
6	SPRING DISK	SS 41
7	ADJUST NUT	SS 41
8	LOCK NUT	STS 304
9	NUT	STS 304
10	VALVE SEAT	P. T.F.E
11	SPRING	HSW
12	WASHER	STS 304

SPECIFICATION

- Application:
safety valve for tank lorry
- Orifice diameter : $\phi 46$
- Connection flange :
65A JIS - 20K RF
- Fluid : L.P.G, other gases

DIMENSION

unit : mm

SIZE	H	d	g	C	D	E	F	N- ϕ H
50A	470	74	120	140	175	21	2	8-19

※ Remark 1. Material is to be changed in case of NH₃
2. Please contact us when applying for other gases

※ 참고 1. 암모니아용일 경우 일부 재질을 변경함.
2. 다른 가스 용도로 사용할 경우 당사로 연락바람.