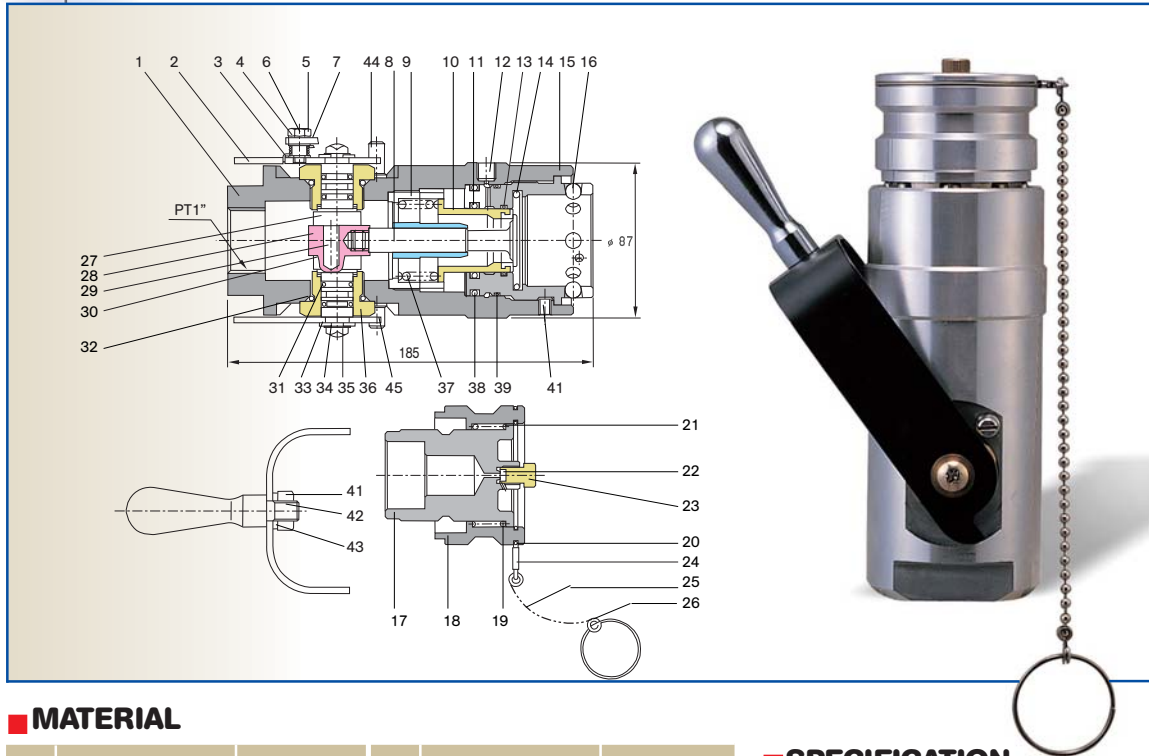


MS ENG. BULK LORRY FEMALE COUPLING

MODEL NO : WBFC - 6112



MATERIAL

NO.	PART NAME	MATERIAL	NO.	PART NAME	MATERIAL
1	BODY	A6061P	24	CLIP	STS 304
2	LEVER	SPCC	25	CHAIN ASS'Y	
3	SPRING LOCK ARM	STS 304	26	RING CHAIN	STS 304
4	FLAT WASHER	STS 304	27	CAM SHAFT	STS 304
5	NUT	STS 304	28	CAM	SCM4
6	HINGE	STS 304	29	PIN	SCM4
7	LOCK ARM	SPCC	30	BACK-UP RING	P.T.F.E
8	STEM	STS 304	31	O-RING	N.B.R
9	GUIDE STEM	C3604	32	O-RING	N.B.R
10	CHECK V/V, SEAT	C3604, N.B.R	33	FLAT WASHER	C3604
11	O-RING	N.B.R	34	WASHER	SPS
12	SET SCREW	MSWR	35	R.H.C SCREW	MSWR57
13	O-RING	N.B.R	36	BUSH HINGE	C3604
14	O-RING	N.B.R	37	SPRING SEAT	STS 304
15	FEMALE COUPLING	STS 304	38	O-RING	N.B.R
16	BALL	STS 304	39	O-RING	N.B.R
17	PLUG COUPLER	A6061P	40	SET SCREW	STS 304
18	CASE PLUG COUPLER	A6061P	41	NUT	MSWR
19	SPRING PLUG COUPLER	STS 304	42	HANDLE	C3604
20	RING CLIP	STS 304	43	SPRING WASHER	HSWR
21	STOP RING	STS 304	44	STOP PIN R.H	STS 304
22	PACKING PLUG	N.B.R	45	STOP PIN L.H	STS 304
23	PLUG	C3604			

SPECIFICATION

- The filling connector to bulk lorry
- Hydrostatic test pressure : 2.94 MPa
- Pneumatic test pressure : 1.96 MPa
- Fluid : L.P.G