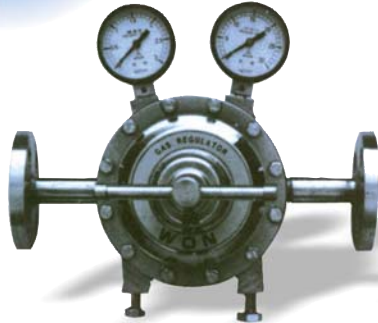
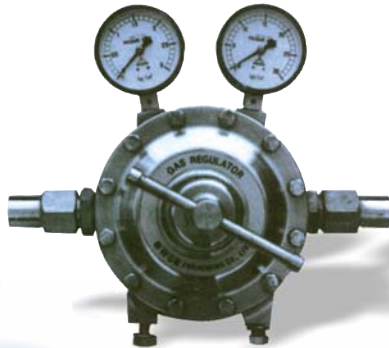


MS ENG. SPECIAL GAS REGULATOR



**MODEL NO : WRN - 30**

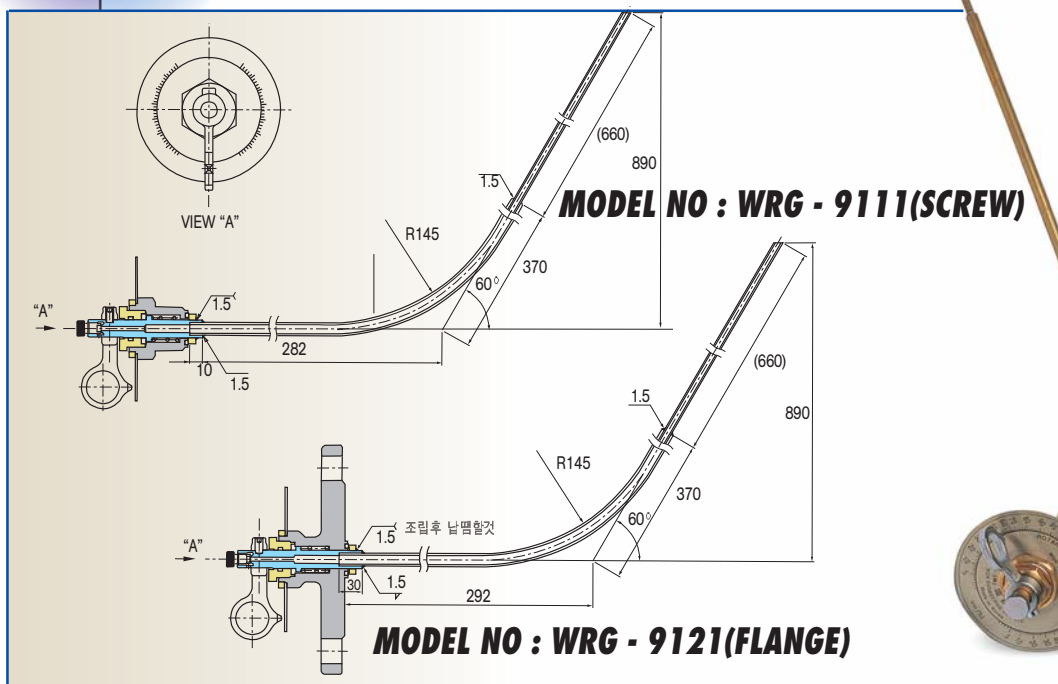
SERVICE FLUID	NH <sub>3</sub>	
REQUIRED CAPACITY	30 NM <sup>3</sup> /hr	
INLET PRESSURE	0.29MPa ~ 1.23MPa	
OUTLET PRESSURE	0.03MPa ~ 0.15MPa	
CONNECTOR	IN	15A 20K FLANGED
	OUT	
MATERIAL	ALL STS 304	
DIAPHRAGM	CR / P.T.F.E	
PRESSURE GAUGE	IN	0 ~ 3.5MPa
	OUT	0 ~ 0.3MPa
FACE TO FACE	280 mm	
WEIGHT	7.0 kg	



**MODEL NO : WRN - 100**

SERVICE FLUID	CO <sub>2</sub> HIGH PURITY GAS	
REQUIRED CAPACITY	100 NM <sup>3</sup> /hr	
INLET PRESSURE	0.29MPa ~ 1.76MPa	
OUTLET PRESSURE	0.01MPa ~ 0.15MPa	
CONNECTOR	IN	1" WELDING TYPE
	OUT	
MATERIAL	ALL STS 304	
DIAPHRAGM	CR	
PRESSURE GAUGE	IN	0 ~ 3.5MPa
	OUT	0 ~ 0.3MPa
FACE TO FACE	330 mm	
WEIGHT	12.5 kg	

MS ENG. ROTARY LEVEL GAUGE



※ CONNECTION : WRG-9111 ⇨ PT 1" / WRG-9121 ⇨ 65A JIS-20K