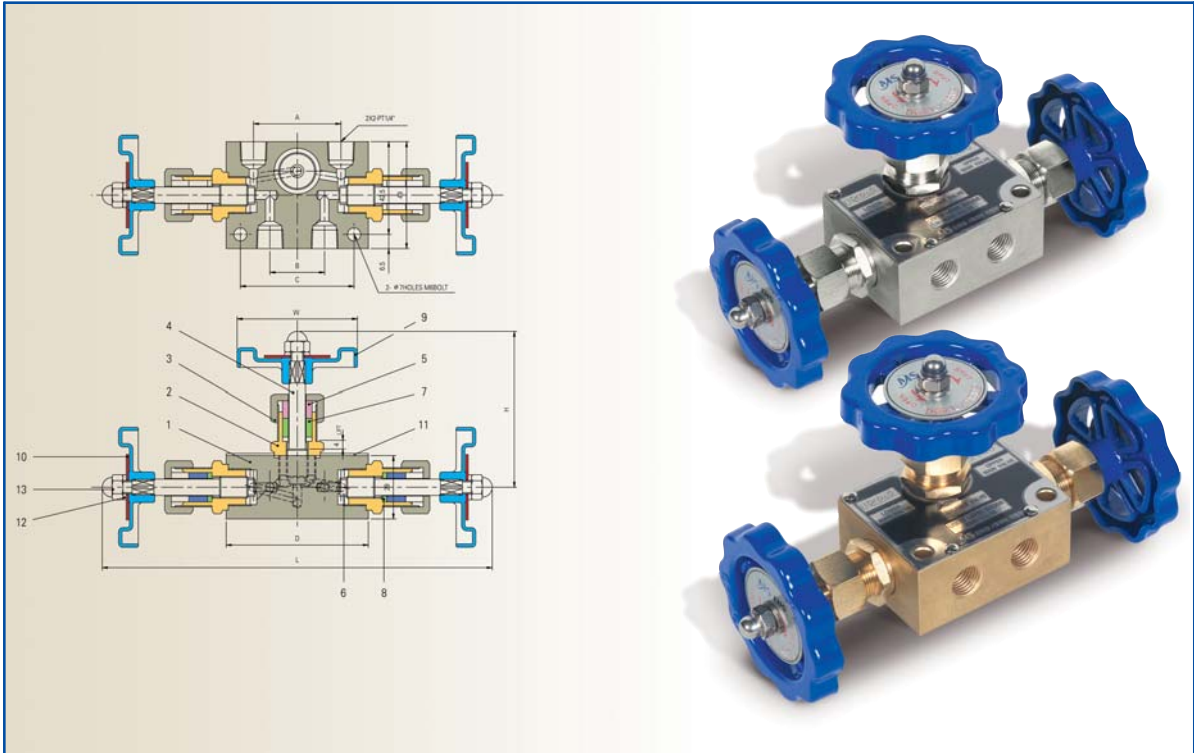


MS ENG. CRYOGENIC MANIFOLD

MODEL NO : WCMV-1000



■ MATERIAL

NO.	PART NAME	MATERIAL	NO.	PART NAME	MATERIAL
1	BODY	C3604	8	PACKING RING	C3604
2	BONNET	C3604	9	HANDLE	ALDC2
3	GLAND NUT	C3604	10	NAME PLATE	A1050P
4	STEM	C3604	11	NAME PLATE	STS304
5	BUSH	C3604	12	SPRING WASHER	STS304
6	VALVE SEAT	PCTFE	13	CAP NUT	STS304
7	PACKING	PTFE			

■ SPECIFICATION

- Hydrostatic test pressure : 4.5 Mpa
- Pneumatic test pressure : 3.0 Mpa
- Fluid : L- O₂, N₂, Ar, LNG
- Design temperature : -196℃ ~ +75℃

■ DIMENSION

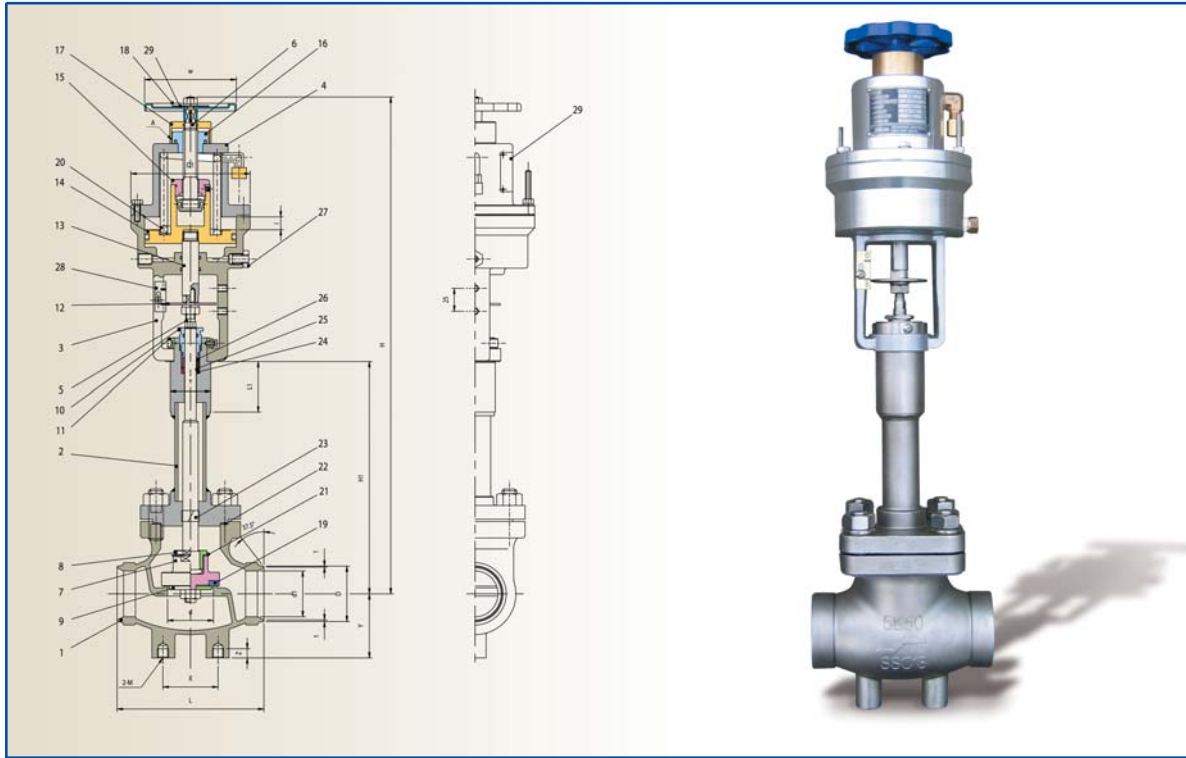
SIZE	A	B	C	D	H	L	W
8A	40	25	52	65	75.5	187	65

unit : mm

※ LNG 용은 일부부품 STS304로 재질 변경.

MS ENG. CRYOGENIC EMERGENCY SHUT-OFF VALVE

MODEL NO : WCEV-1000



MATERIAL

NO.	PART NAME	MATERIAL	NO.	PART NAME	MATERIAL
1	BODY	SSC13A	16	COLLAR	C3604
2	BONNET	SSC13A	17	CAP	C3604
3	CYLINDER	AC4A-F	18	HANDLE	ALDC2
4	CYLINDER CAP	AC4A-F	19	VALVE SEAT	PCTFE
5	SPINDLE #1	STS304	20	SPRING	HSW
6	SPINDLE #2	STS304	21	STOPPER	STS304
7	VALVE DISK	STS304	22	GASKET	V#7020
8	STEM RING	STS304	23	PACKING	PTFE
9	WASHER	STS304	24	PACKING	PTFE
10	BUSH	STS304	25	PACKING	PTFE
11	SET NUT #1	STS304	26	PACKING	PTFE
12	INDICATION PLATE	STS304	27	FUSE METAL	C3604 / Pb
13	CONNECTION BAR	STS304	28	MARK PLATE	C2600P
14	PISTON	C3604	29	NAME PLATE	A1050P
15	SET NUT #2	C3604	30	NAME PLATE	A1050P

SPECIFICATION

- Hydrostatic test pressure : 0.75 MPa
- Pneumatic test pressure : 0.55 MPa
- Fluid : L- O₂, N₂, Ar, LNG
- Design temperature : -196℃ ~ +75℃

DIMENSION

unit : mm

SIZE	d	d1	L	D	t	I	D1	W	H1	H	T	L1	Y	X	M	Z	WEIGHT
50A	50	50	160	61	3.5	14	130	100	253	542	44	54	70	60	M12	10	13kg
80A	80	80	240	89	4	30	160	140	550	800	66	70	100	80	M16	12	24kg