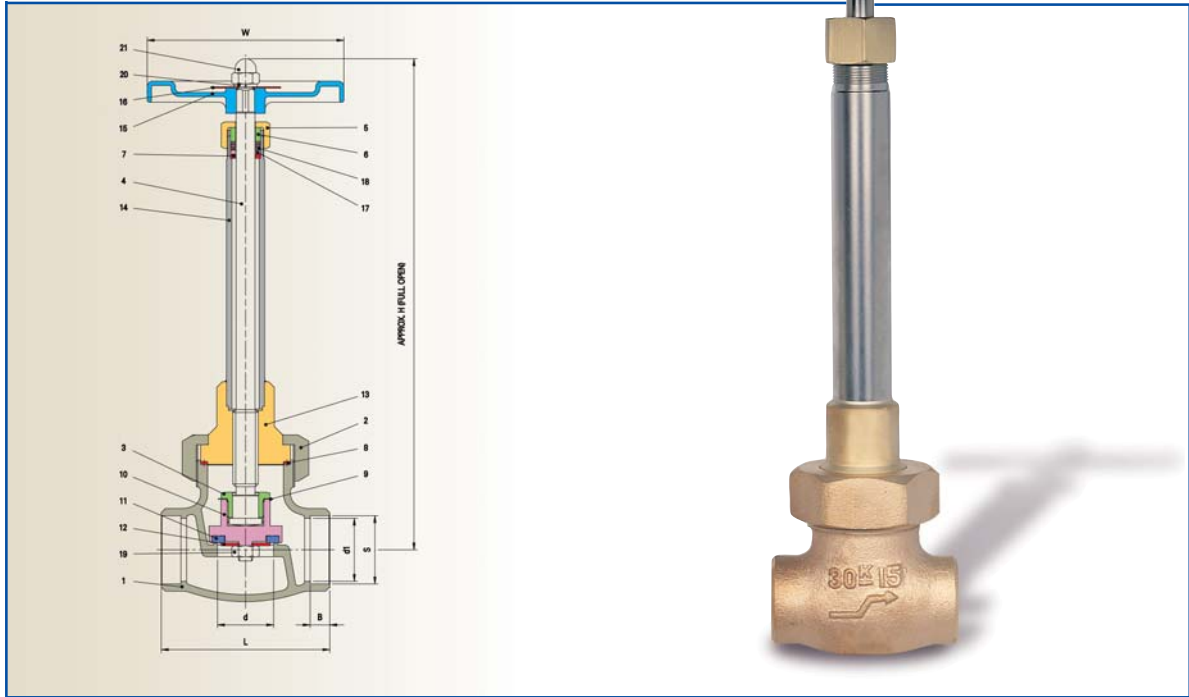


MS ENG. CRYOGENIC GLOBE VALVE (LONG STEM)

MODEL NO : WCGL-1000



**MATERIAL**

NO.	PART NAME	MATERIAL	NO.	PART NAME	MATERIAL
1	BODY	BC7	12	WASHER	STS304
2	UNION NUT	BC7	13	BONNET	C3604
3	STEM RING	C3604	14	STEM	STS304
4	SPINDLE	STS304	15	HANDLE	ALDC2
5	GLAND NUT	C3604	16	NAME PLATE	A1050P
6	GLAND	C3604	17	PACKING	PTFE
7	PACKING GLAND	C3604	18	V-PACKING	PTFE
8	GASKET	V #020	19	LOCK NUT	STS304
9	STOPPER	C1100P	20	SPRING WASHER	STS304
10	VALVE DISK	C3604	21	CAP NUT	STS304
11	VALVE SEAT	PCTFE			

**SPECIFICATION**

- Hydrostatic test pressure : 4.5 MPa
- Pneumatic test pressure : 3.0 MPa
- Fluid : L- O<sub>2</sub>, N<sub>2</sub>, Ar
- Design temperature : -196℃ ~ +75℃

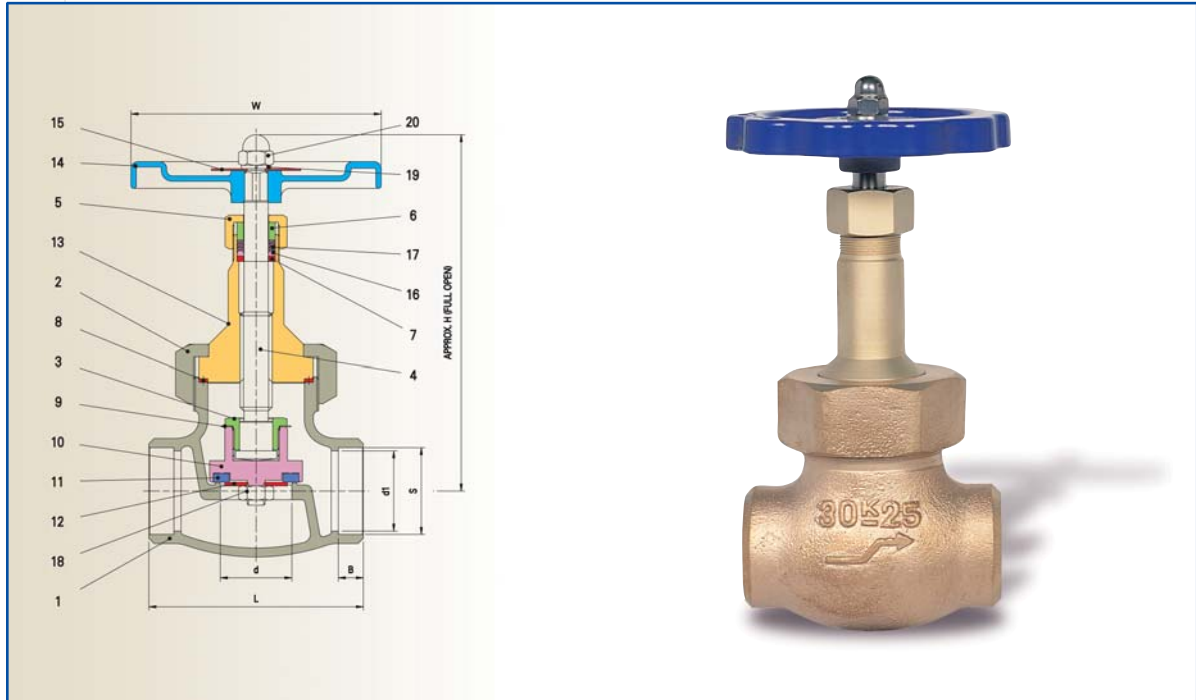
**DIMENSION**

unit : mm

SIZE	d	d1	L	S	B	W	H
10A	15	13	60	17.4	7	65	219
15A	15	20	65	21.8	8	80	241
20A	20	25	80	27.3	9	80	245.8
25A	23	31	90	34.1	10	100	274
40A	40	45	120	48.7	14	140	340
50A	52	53	142	60.5	11	140	367

MS ENG. CRYOGENIC GLOBE VALVE (SHORT STEM)

MODEL NO : WCGS-1000



■ MATERIAL

NO.	PART NAME	MATERIAL	NO.	PART NAME	MATERIAL
1	BODY	BC7	11	VALVE SEAT	PCTFE
2	UNION NUT	BC7	12	WASHER	STS304
3	STEM RING	C3604	13	BONNET	C3604
4	SPINDLE	STS304	14	HANDLE	ALDC2
5	GLAND NUT	C3604	15	NAME PLATE	A1050P
6	GLAND	C3604	16	PACKING	PTFE
7	PACKING GLAND	C3604	17	V-PACKING	PTFE
8	GASKET	V#7020	18	LOCK NUT	STS304
9	STOPPER	C1100P	19	SPRING WASHER	STS304
10	VALVE DISK	C3604	20	CAP NUT	STS304

■ SPECIFICATION

- Hydrostatic test pressure : 4.5 MPa
- Pneumatic test pressure : 3.0 MPa
- Fluid : L- O<sub>2</sub>, N<sub>2</sub>, Ar
- Design temperature : -196℃ ~ +75℃

■ DIMENSION

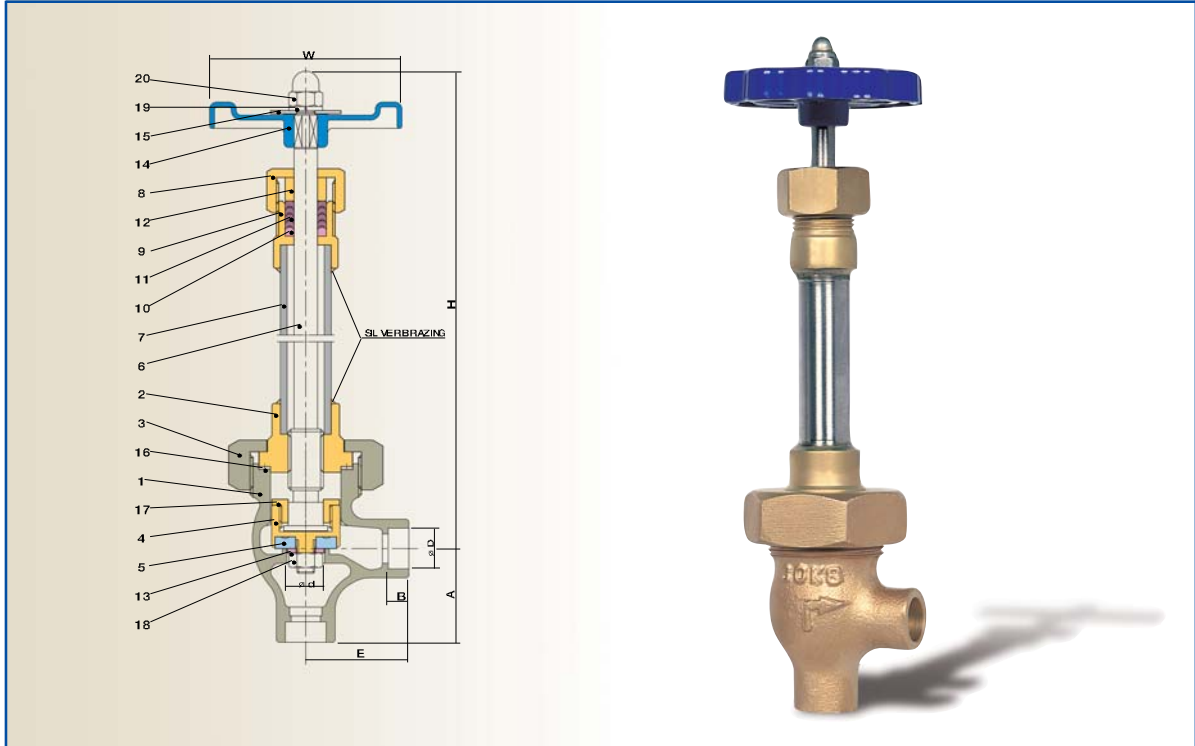
unit : mm

SIZE	d	d1	L	S	B	W	H
10A	15	13	60	17.4	7	65	125
15A	15	20	65	21.8	8	80	145
20A	20	25	80	27.3	9	80	151
25A	23	31	90	34.1	10	100	174
40A	40	45	120	48.7	14	140	212
50A	52	53	142	60.5	11	140	221



**CRYOGENIC GLOBE VALVE (LONG STEM-ANGLE TYPE)**

**MODEL NO : WCGL-1001**



**■ MATERIAL**

NO.	PART NAME	MATERIAL	NO.	PART NAME	MATERIAL
1	BODY	BC7	11	V-PACKING	PTFE
2	BONNET	C3604	12	GLAND	C3604
3	UNION NUT	BC7	13	WASHER	STS304
4	VALVE DISK	C3604	14	HANDLE	ALDC2
5	VALVE SEAT	PCTFE	15	NAME PLATE	A1050P
6	SPINDLE	STS304	16	GASKET	V#7020
7	STEM	STS304	17	STEM RING	C3604
8	GLAND NUT	C3604	18	LOCK NUT	STS304
9	SOCKET	C3604	19	SPRING WASHER	STS304
10	PACKING	PTFE	20	CAP NUT	STS304

**■ SPECIFICATION**

- Hydrostatic test pressure : 4.5 MPa
- Pneumatic test pressure : 3.0 MPa
- Fluid : L- O<sub>2</sub>, N<sub>2</sub>, Ar
- Design temperature : -196℃ ~ +75℃

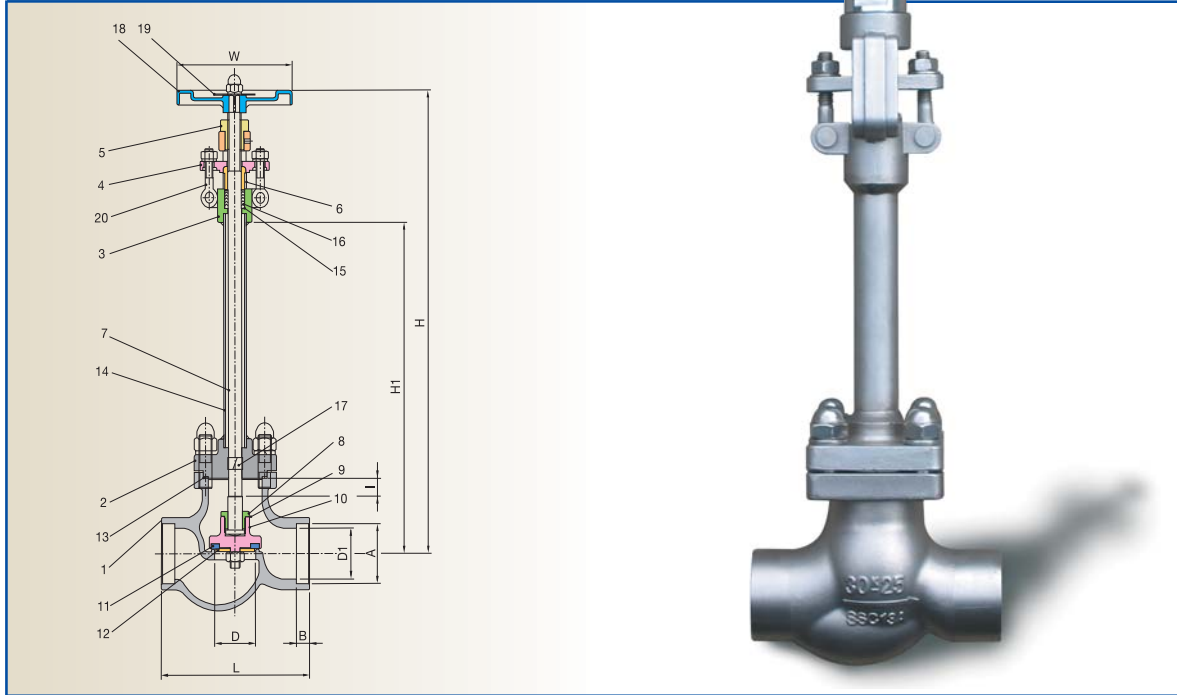
**■ DIMENSION**

unit : mm

SIZE	A	B	d	D	E	H	W
8A	30	7	13	13.9	30	178	65

MS ENG. CRYOGENIC SUS GLOBE VALVE

MODEL NO : WCSG-1000



■ MATERIAL

NO.	PART NAME	MATERIAL	NO.	PART NAME	MATERIAL
1	BODY	SSC13A	11	VALVE SEAT	PCTFE
2	BONNET	SSC13A	12	WASHER	STS304
3	YOKE	SSC13A	13	GASKET	V#7020
4	GLAND FLANGE	SSC13A	14	STEM	STS304
5	YOKE BUSH	C3604	15	PACKING	PTFE
6	GLAND	C3604	16	V-PACKING	PTFE
7	SPINDLE	STS304	17	PACKING BUSH	PTFE
8	STEM RING	C3604	18	HANDLE	ALDC2
9	STOPPER	C1100P	19	NAME PLATE	A1050P
10	VALVE DISK	C3604	20	YOKE BOLT	STS304

■ SPECIFICATION

- Hydrostatic test pressure : 4.5 MPa
- Pneumatic test pressure : 3.3 MPa
- Fluid : L- O<sub>2</sub>, N<sub>2</sub>, Ar, LNG
- Design temperature : -196℃ ~ +75℃

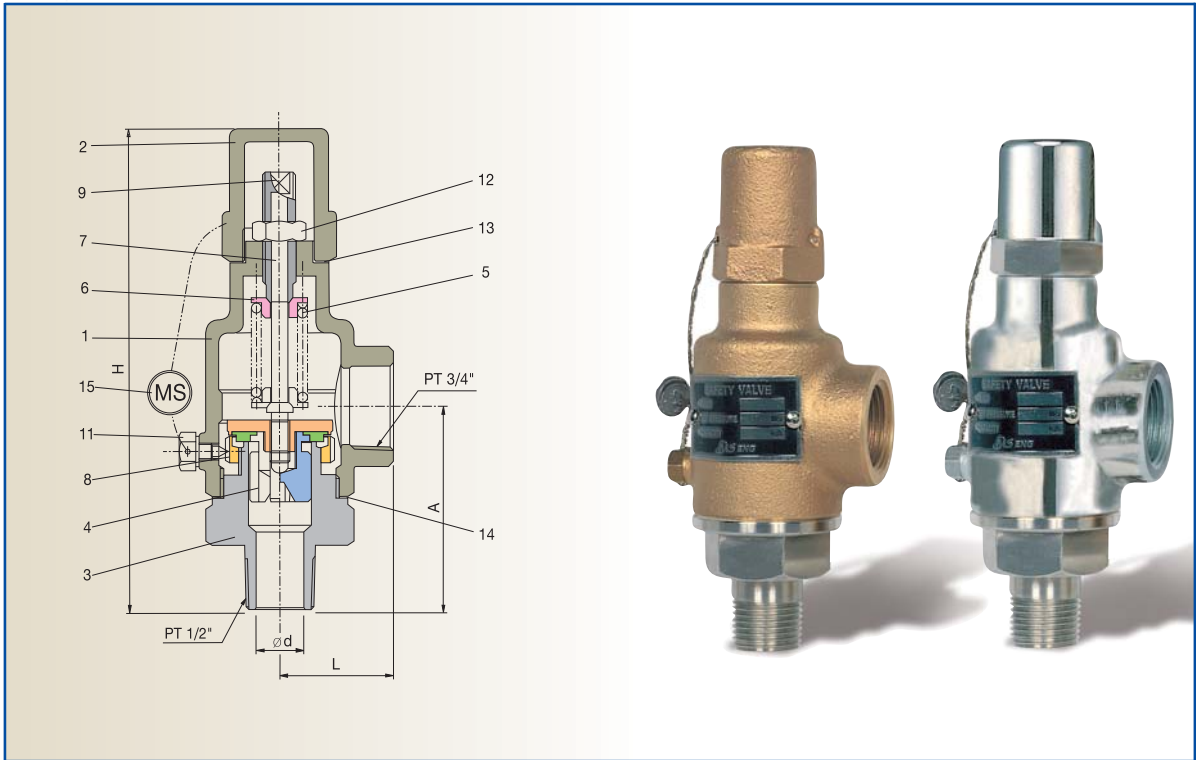
■ DIMENSION

SIZE	A	B	D	D1	I	L	H1	H	W
15A	22	9.5	15	16	10	90	253	370	80
20A	27.5	10	20	21	13	100	253	370	80
25A	34	12	25	26	14	120	252	370	100
40A	49	13	40	42	16	150	335	470	140
50A	61	16	50	52	18	180	335	470	140
65A	87	21	65	72	28	225	450	590	140
80A	116	27	80	92	32	262	570	710	140

unit : mm

MS ENG. CRYOGENIC SAFETY VALVE

MODEL NO : WCSV-1000



**MATERIAL**

NO.	PART NAME	MATERIAL	NO.	PART NAME	MATERIAL
1	BODY	BC7	8	SPRING DISK	C3604
2	CAP	BC7	9	SPINDLE	C3604
3	NOZZLE	STS304	10	ADJUST RING	C3604
4	VALVE DISK #1	STS304	11	ADJUST SCREW	C3604
5	VALVE DISK #2	STS304	12	SET NUT	STS304
6	VALVE SEAT	PCTFE	13	SET BOLT	C3604
7	SPRING	STS304	14	MARKING	Pb

**SPECIFICATION**

- Basic setting pressure : 1.0 MPa, 1.7 MPa
- Design capacity (N<sub>2</sub>) : 2457 kg/h (1.0 MPa), 4648 kg/h (1.7 MPa)
- Fluid : L- O<sub>2</sub>, N<sub>2</sub>, Ar, LNG
- Design temperature : -196℃ ~ +75℃

**DIMENSION**

unit : mm

SIZE	A	d	H	L
15A	67	14.5	150	34.5

※ LNG용은 일부부품 STS304로 재질 변경.