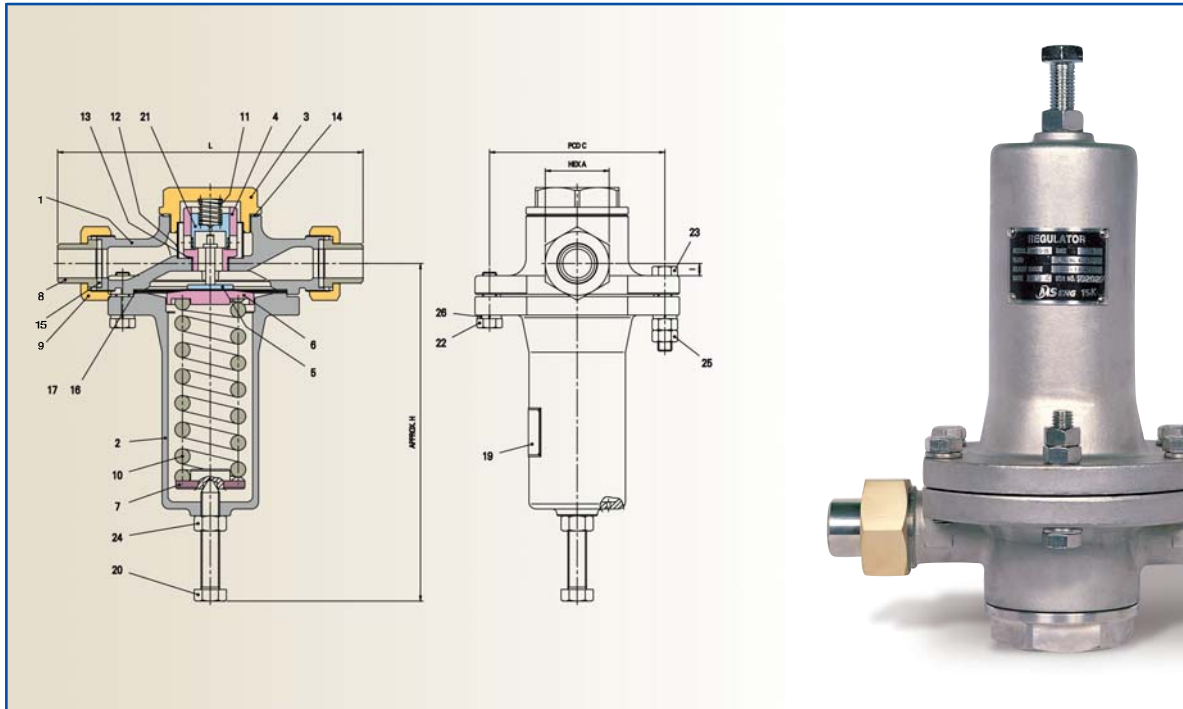


MS ENG. CRYOGENIC REGULATOR

MODEL NO : WCRG-1000



■ MATERIAL

NO.	PART NAME	MATERIAL	NO.	PART NAME	MATERIAL
1	BODY	SSC13A	14	GASKET	V#7020
2	BONNET	SSC13A	15	GASKET	V#7020
3	BOTTOM COVER	STS304	16	GASKET	PTFE
4	NOZZLE	C3604	17	DIAPHRAGM	PTFE
5	STEM	C3604	18	DIAPHRAGM	STS304
6	UPPER SPRING DISK	C3604	19	NAME PLATE	STS304
7	LOWER SPRING DISK	C3604	20	ADJUST BOLT	C3604
8	SLEEVE	STS304	21	VALVE DISK ASS'Y	C3604
9	UNION NUT	C3604	22	HEX BOLT	STS304
10	SPRING	SAE9254	23	HEX BOLT	STS304
11	SPRING	STS304	24	HEX NUT	STS304
12	STRAINER	STS304	25	HEX NUT	STS304
13	GASKET	PTFE	26	SPRING WASHER	STS304

■ SPECIFICATION

- Basic setting pressure :
0.7 MPa, 1.4 MPa, 2.4 MPa
- Adjust range :
0.4~1.5 MPa, 1.5~2.5 MPa
- Hydrostatic test pressure :
4.5 MPa
- Pneumatic test pressure :
3.0 MPa
- Fluid : L- O₂, N₂, Ar, LNG
- Design temperature :
-196℃ ~ +75℃

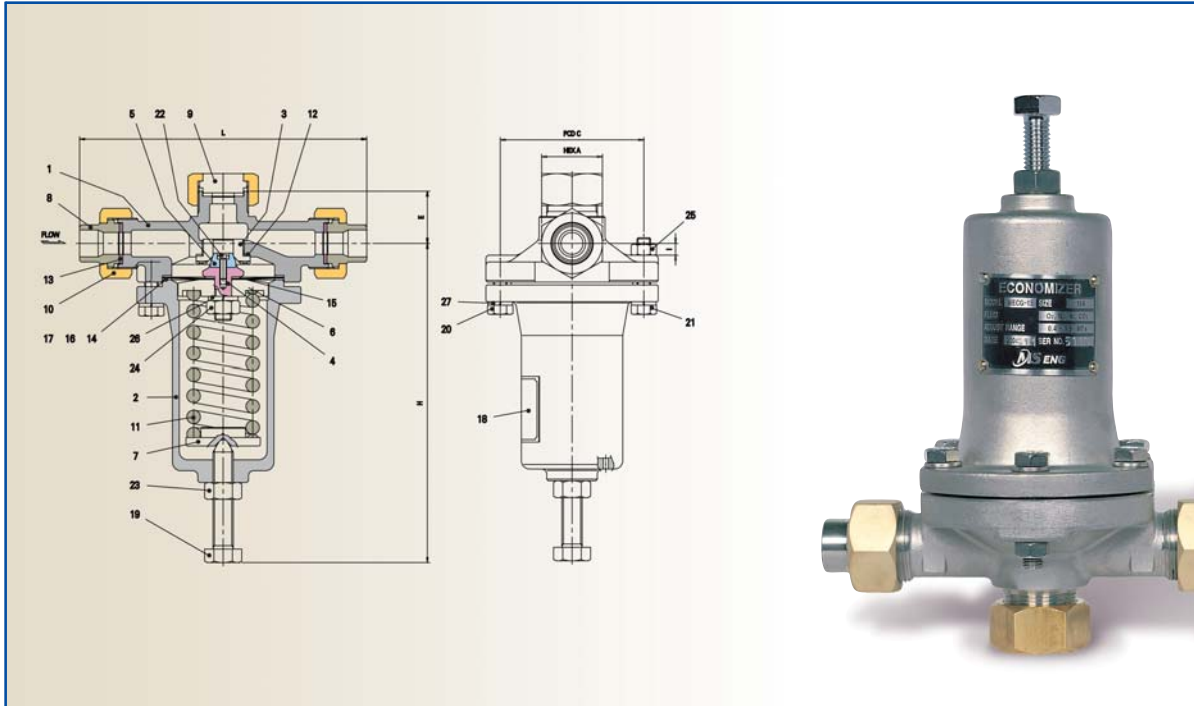
■ DIMENSION

unit : mm

SIZE	A	C	H	I	L
25A	55	151	292	10.5	263

MS ENG. CRYOGENIC ECONOMIZER

MODEL NO : WCEG-1000



■ MATERIAL

NO.	PART NAME	MATERIAL	NO.	PART NAME	MATERIAL
1	BODY	SSC13A	15	GASKET	PTFE
2	BONNET	SSC13A	16	DIAPHRAGM	PTFE
3	NOZZLE	C3604	17	DIAPHRAGM	STS304
4	VALVE DISK	STS304	18	NAME PLATE	STS304
5	VALVE SEAT	PTFE	19	ADJUST BOLT	C3604
6	UPPER SPRING DISK	C3604	20	HEX BOLT	STS304
7	LOWER SPRING DISK	C3604	21	HEX BOLT	STS304
8	SLEEVE	STS304	22	남비머리 작은나사	STS304
9	BLIND SLEEVE	C3604	23	HEX NUT	STS304
10	UNION NUT	C3604	24	HEX NUT	STS304
11	SPRING	HSW	25	HEX NUT	STS304
12	GASKET	PTFE	26	SPRING WASHER	STS304
13	GASKET	V#7020	27	SPRING WASHER	STS304
14	GASKET	PTFE			

■ SPECIFICATION

- Basic setting pressure :
0.8 MPa, 1.5 MPa, 2.5 MPa
- Adjust range :
0.4~1.5 MPa, 1.5~2.5 MPa
- Hydrostatic test pressure :
4.5 MPa
- Pneumatic test pressure :
3.0 MPa
- Fluid : L- O₂, N₂, Ar, LNG
- Design temperature :
-196℃ ~ +75℃

■ DIMENSION

unit : mm

SIZE	A	C	E	H	I	L
15A	36	85	31	188	7	170