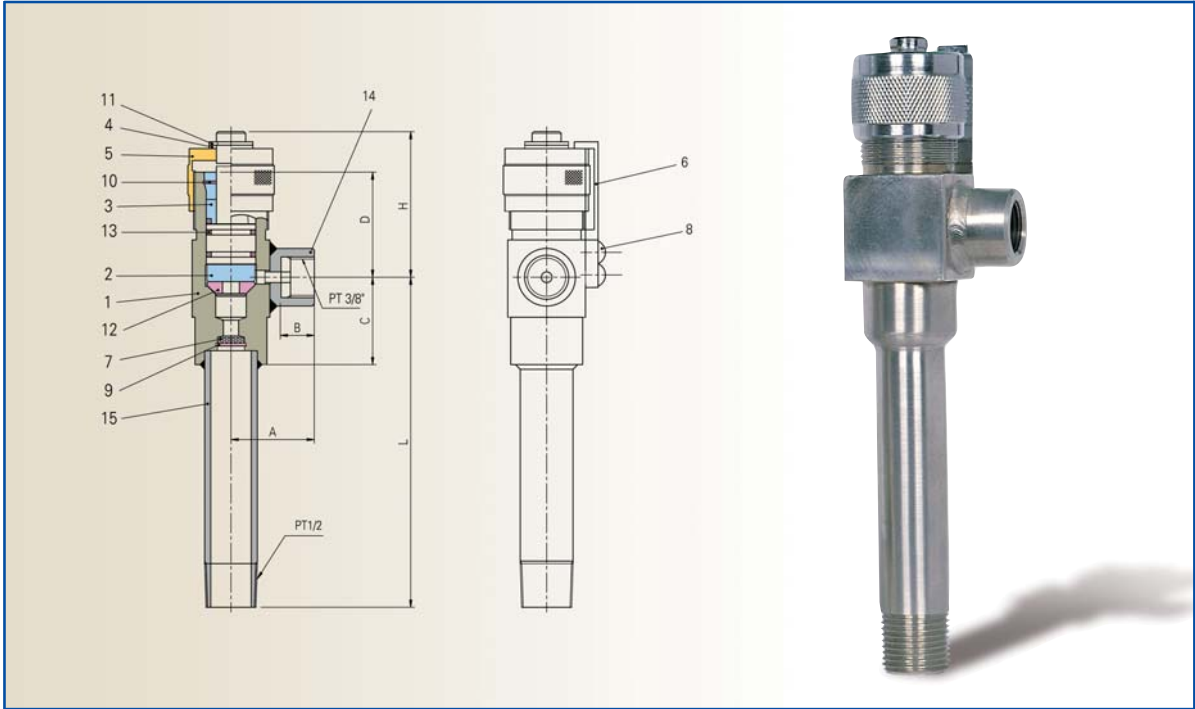


MS ENG. VACUUM SENSOR VALVE

MODEL NO : WVSV-1000



■ MATERIAL

NO.	PART NAME	MATERIAL	NO.	PART NAME	MATERIAL
1	BODY	STS304	9	SNAP RING	STS304
2	SPINDLE	C3604	10	SNAP RING	STS304
3	BUSH	C3604	11	SNAP RING	STS304
4	LINER	C3604	12	O-RING	VITON
5	GLAND NUT	C3604	13	O-RING	VITON
6	STOPPER	C3604	14	SOCKET	STS304
7	FILTER	CAC406	15	PIPE	STS304
8	CROSSED BOLT	STS304			

■ SPECIFICATION

- Fluid : L- O₂, L-N₂, L-Ar, LNG
- Design temperature :
-20 ℃ ~ 40 ℃

■ DIMENSION

unit : mm

SIZE	A	B	C	D	H	L
10A	34	14	36	44	60	136

MS ENG. VACUUM EXHAUST VALVE

MODEL NO : WVEV-1000



■ MATERIAL

NO.	PART NAME	MATERIAL	NO.	PART NAME	MATERIAL
1	BODY	STS304	5	BEVEL RING	VITON
2	PISTON	C3604	6	O-RING	VITON
3	BONNET	STS304	7	O-RING	VITON
4	HEX NUT	STS304	8	PIPE	STS304

■ DIMENSION

unit : mm

SIZE	A	B	C	d	D	E	H	n-øh
50A	61	120	100	54.9	60.5	17	150	4-ø15

MS ENG. CRYOGENIC LEVEL GAUGE



■ SPECIFICATION

	Inside Diameter	Height	Fluid	90%(Overflow)	Range to be read	In Liter
3.8M ³	1250mm	3200mm	Ar	3080mm	5000mm	3592
4.8M ³	1350mm	3410mm	O ₂	3290mm	5000mm	4370
6.8M ³	1600mm	3310mm	N ₂	3180mm	4000-5000mm HO	6120
15M ³	1700mm	6880mm	Common use(Ar, O ₂ , N ₂ ,CO ₂)	6750mm	8000-10000mmH.O	13500
20M ³	1800mm	7350mm		7320mm	10000mm HO	18000
30M ³	2200mm	7420mm		7290mm	10000mm HO	27000