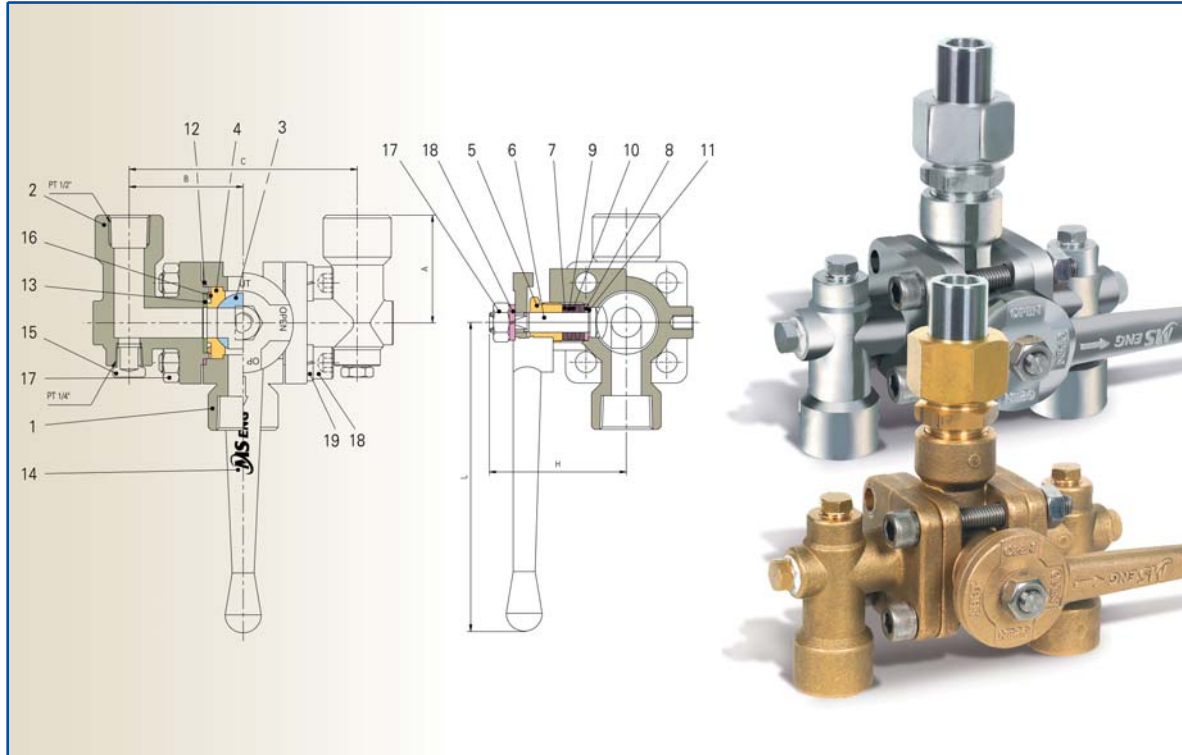


MS ENG. CRYOGENIC DIVERT VALVE

MODEL NO : WCDV-1000



■ MATERIAL

NO.	PART NAME	MATERIAL	NO.	PART NAME	MATERIAL
1	BODY	C3771	11	GASKET	PTFE
2	CAP	C3771	12	GASKET	PTFE
3	BALL	STS304	13	GASKET	PTFE
4	BALL SEAT	PTFE	14	HANDLE	C3771
5	GLAND	C3604	15	PLUG BOLT	C3064
6	STEM	STS304	16	O-RING	NBR
7	PACKING(F)	PTFE	17	HEX NUT	STS304
8	PACKING(M)	PTFE	18	SPRING WASHER	STS304
9	V-PACKING	PTFE	19	WRENCH BOLT	STS304
10	LINER	PTFE			

■ SPECIFICATION

- Hydrostatic test pressure : 4.5 Mpa
- Pneumatic test pressure : 3.0 Mpa
- Fluid : L- O₂, N₂, Ar, LNG
- Design temperature : -196℃ ~ +75℃

■ DIMENSION

unit : mm

SIZE	A	B	C	H	L
20A	54	55	110	68	155

※ LNG용은 일부부품 STS304로 재질 변경.

MS ENG. VACUUM EXHAUST VALVE

MODEL NO : WVEV-1000



■ MATERIAL

NO.	PART NAME	MATERIAL	NO.	PART NAME	MATERIAL
1	BODY	STS304	5	BEVEL RING	VITON
2	PISTON	C3604	6	O-RING	VITON
3	BONNET	STS304	7	O-RING	VITON
4	HEX NUT	STS304	8	PIPE	STS304

■ DIMENSION

unit : mm

SIZE	A	B	C	d	D	E	H	n-øh
50A	61	120	100	54.9	60.5	17	150	4-ø15

MS ENG. CRYOGENIC LEVEL GAUGE



■ SPECIFICATION

	Inside Diameter	Height	Fluid	90%(Overflow)	Range to be read	In Liter
3.8M ³	1250mm	3200mm	Ar	3080mm	5000mm	3592
4.8M ³	1350mm	3410mm	O ₂	3290mm	5000mm	4370
6.8M ³	1600mm	3310mm	N ₂	3180mm	4000-5000mm HO	6120
15M ³	1700mm	6880mm	Common use(Ar, O ₂ , N ₂ ,CO ₂)	6750mm	8000-10000mmH.O	13500
20M ³	1800mm	7350mm		7320mm	10000mm HO	18000
30M ³	2200mm	7420mm		7290mm	10000mm HO	27000