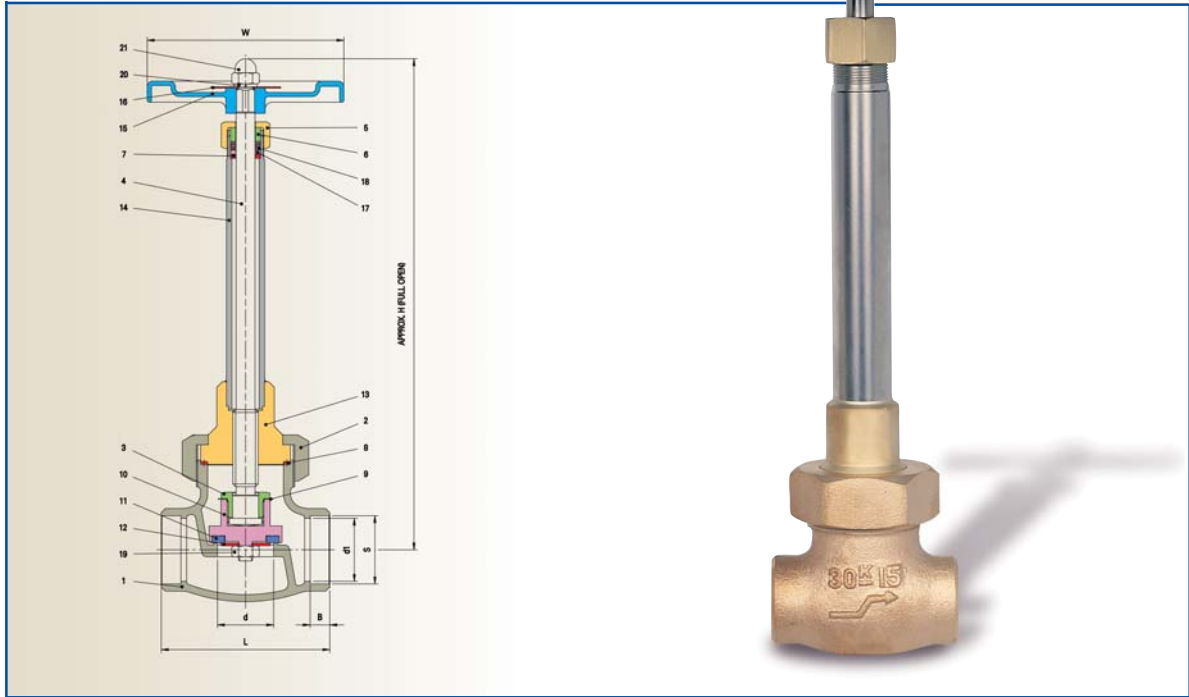


MS ENG. CRYOGENIC GLOBE VALVE (LONG STEM)

MODEL NO : WCGL-1000



MATERIAL

NO.	PART NAME	MATERIAL	NO.	PART NAME	MATERIAL
1	BODY	BC7	12	WASHER	STS304
2	UNION NUT	BC7	13	BONNET	C3604
3	STEM RING	C3604	14	STEM	STS304
4	SPINDLE	STS304	15	HANDLE	ALDC2
5	GLAND NUT	C3604	16	NAME PLATE	A1050P
6	GLAND	C3604	17	PACKING	PTFE
7	PACKING GLAND	C3604	18	V-PACKING	PTFE
8	GASKET	V #020	19	LOCK NUT	STS304
9	STOPPER	C1100P	20	SPRING WASHER	STS304
10	VALVE DISK	C3604	21	CAP NUT	STS304
11	VALVE SEAT	PCTFE			

SPECIFICATION

- Hydrostatic test pressure : 4.5 MPa
- Pneumatic test pressure : 3.0 MPa
- Fluid : L- O₂, N₂, Ar
- Design temperature : -196℃ ~ +75℃

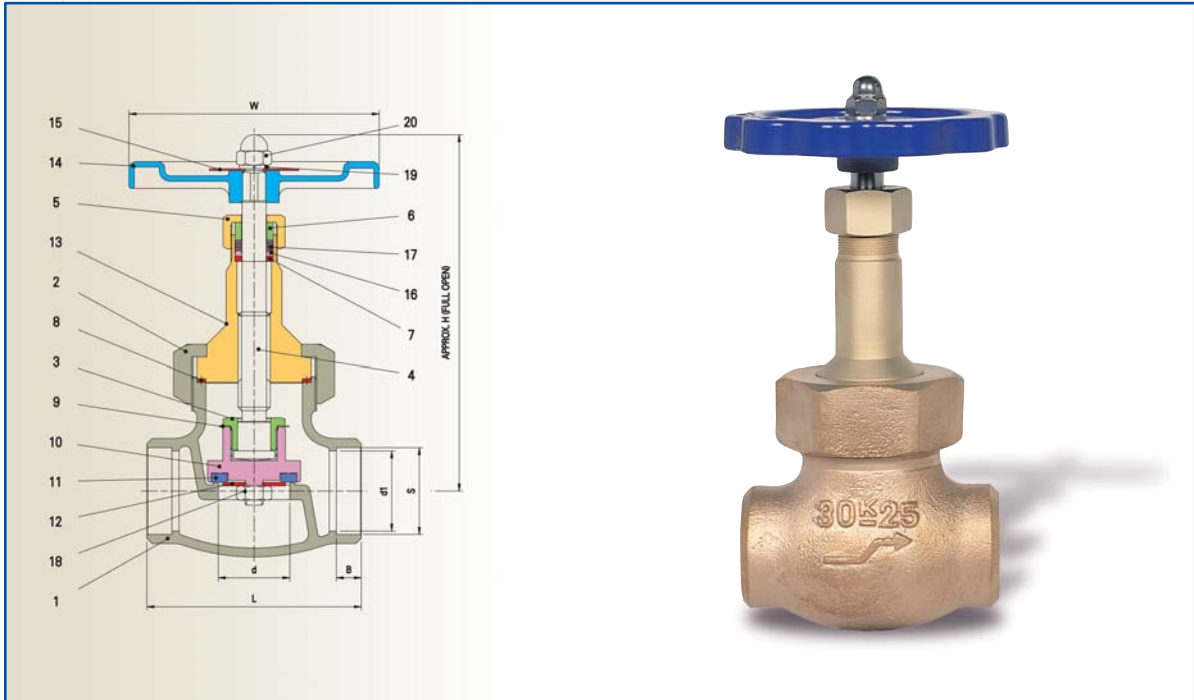
DIMENSION

unit : mm

SIZE	d	d1	L	S	B	W	H
10A	15	13	60	17.4	7	65	219
15A	15	20	65	21.8	8	80	241
20A	20	25	80	27.3	9	80	245.8
25A	23	31	90	34.1	10	100	274
40A	40	45	120	48.7	14	140	340
50A	52	53	142	60.5	11	140	367

MS ENG. CRYOGENIC GLOBE VALVE (SHORT STEM)

MODEL NO : WCGS-1000



■ MATERIAL

NO.	PART NAME	MATERIAL	NO.	PART NAME	MATERIAL
1	BODY	BC7	11	VALVE SEAT	PCTFE
2	UNION NUT	BC7	12	WASHER	STS304
3	STEM RING	C3604	13	BONNET	C3604
4	SPINDLE	STS304	14	HANDLE	ALDC2
5	GLAND NUT	C3604	15	NAME PLATE	A1050P
6	GLAND	C3604	16	PACKING	PTFE
7	PACKING GLAND	C3604	17	V-PACKING	PTFE
8	GASKET	V#7020	18	LOCK NUT	STS304
9	STOPPER	C1100P	19	SPRING WASHER	STS304
10	VALVE DISK	C3604	20	CAP NUT	STS304

■ SPECIFICATION

- Hydrostatic test pressure : 4.5 MPa
- Pneumatic test pressure : 3.0 MPa
- Fluid : L- O₂, N₂, Ar
- Design temperature : -196℃ ~ +75℃

■ DIMENSION

unit : mm

SIZE	d	d1	L	S	B	W	H
10A	15	13	60	17.4	7	65	125
15A	15	20	65	21.8	8	80	145
20A	20	25	80	27.3	9	80	151
25A	23	31	90	34.1	10	100	174
40A	40	45	120	48.7	14	140	212
50A	52	53	142	60.5	11	140	221