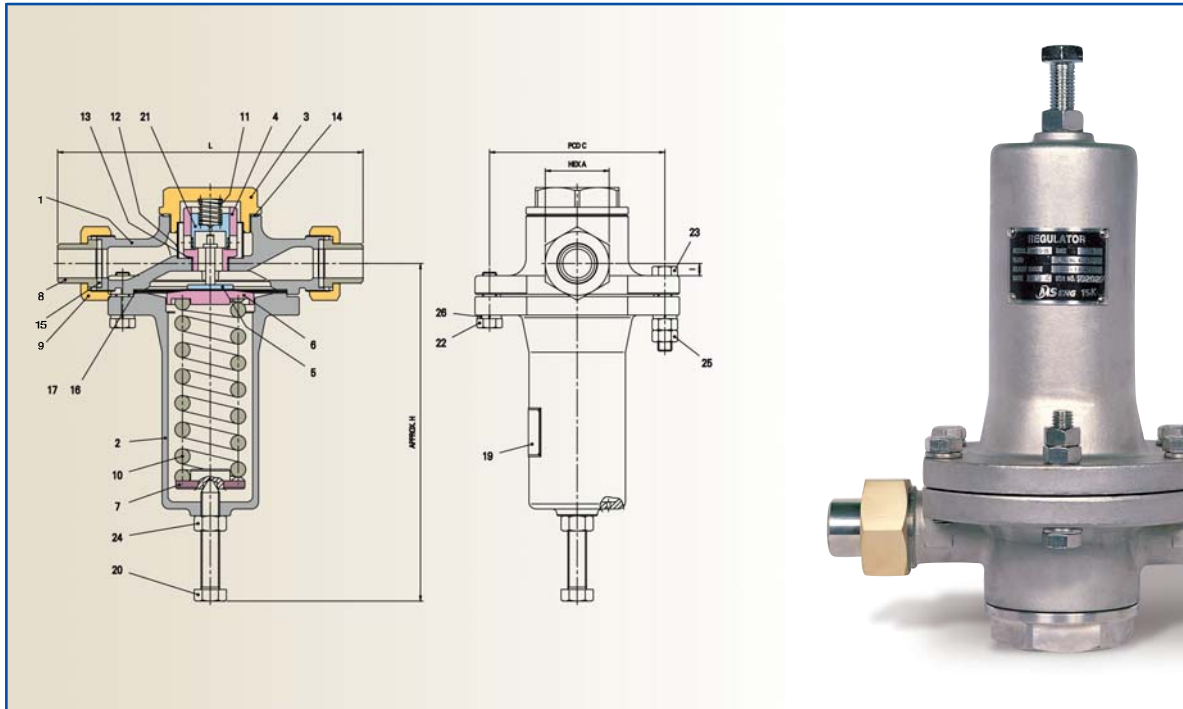


MS ENG. CRYOGENIC REGULATOR

MODEL NO : WCRG-1000



■ MATERIAL

NO.	PART NAME	MATERIAL	NO.	PART NAME	MATERIAL
1	BODY	SSC13A	14	GASKET	V#7020
2	BONNET	SSC13A	15	GASKET	V#7020
3	BOTTOM COVER	STS304	16	GASKET	PTFE
4	NOZZLE	C3604	17	DIAPHRAGM	PTFE
5	STEM	C3604	18	DIAPHRAGM	STS304
6	UPPER SPRING DISK	C3604	19	NAME PLATE	STS304
7	LOWER SPRING DISK	C3604	20	ADJUST BOLT	C3604
8	SLEEVE	STS304	21	VALVE DISK ASS'Y	C3604
9	UNION NUT	C3604	22	HEX BOLT	STS304
10	SPRING	SAE9254	23	HEX BOLT	STS304
11	SPRING	STS304	24	HEX NUT	STS304
12	STRAINER	STS304	25	HEX NUT	STS304
13	GASKET	PTFE	26	SPRING WASHER	STS304

■ SPECIFICATION

- Basic setting pressure :
0.7 MPa, 1.4 MPa, 2.4 MPa
- Adjust range :
0.4~1.5 MPa, 1.5~2.5 MPa
- Hydrostatic test pressure :
4.5 MPa
- Pneumatic test pressure :
3.0 MPa
- Fluid : L- O₂, N₂, Ar, LNG
- Design temperature :
-196℃ ~ +75℃

■ DIMENSION

unit : mm

SIZE	A	C	H	I	L
25A	55	151	292	10.5	263