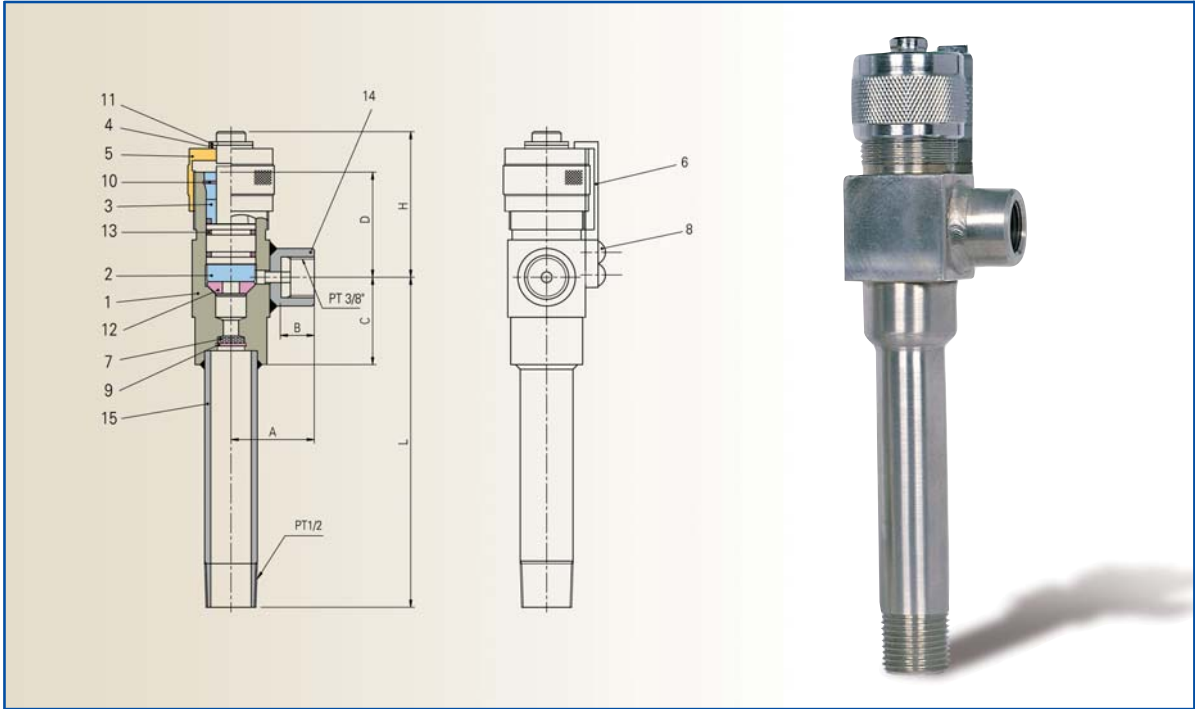


MS ENG. VACUUM SENSOR VALVE

MODEL NO : WVSV-1000



■ MATERIAL

NO.	PART NAME	MATERIAL	NO.	PART NAME	MATERIAL
1	BODY	STS304	9	SNAP RING	STS304
2	SPINDLE	C3604	10	SNAP RING	STS304
3	BUSH	C3604	11	SNAP RING	STS304
4	LINER	C3604	12	O-RING	VITON
5	GLAND NUT	C3604	13	O-RING	VITON
6	STOPPER	C3604	14	SOCKET	STS304
7	FILTER	CAC406	15	PIPE	STS304
8	CROSSED BOLT	STS304			

■ SPECIFICATION

- Fluid : L- O₂, L-N₂, L-Ar, LNG
- Design temperature :
-20 ℃ ~ 40 ℃

■ DIMENSION

unit : mm

SIZE	A	B	C	D	H	L
10A	34	14	36	44	60	136